

CARLISLE®

SPECIALTY TIRE AND WHEEL CATALOG



WWW.CARLISLEBRANDTIRES.COM





WELCOME

To Our Valued Customers:

The Carlstar Group is proud to be your global partner for original equipment and aftermarket specialty tires and wheels. Our product offering spans a wide range of industries from the agriculture, construction, outdoor power equipment, powersports, high speed trailer and flat free/manual markets. The diverse portfolio of solutions are offered under several leading brands including Carlisle® tires and wheels, ITP® tires and wheels, as well as Cragar®, Black Rock® and Unique® wheels and Marastar® manual tires.

The Carlstar Group employs over 3,400 passionate professionals around the globe ready and willing to assist you. With 17 facilities located in 4 countries, we strive to ensure you receive the right products where and when you need them.

This edition of the Carlisle Brand Specialty Tire and Wheel Catalog affords easy access to the latest product information, technical specifications, tread designs and applications. Use these color guides to easily find the product that serves your specialty application.



The Carlstar Group has created a culture of converting great ideas into advanced products and a legacy of excellence in product innovation, quality, and customer service.

For additional information, please visit www.carlislebrandtires.com or contact your Carlstar Representative. We appreciate your continued partnership.



OUTDOOR POWER EQUIPMENT

TURF SAVER® - Turf-friendly market leading design for residential mowing applications.	6
TURF SAVER® II - Second generation Turf Saver with round shoulder design for residential applications.	7
TURF TRAC R/S - Versatile turf tire with balanced profile for grounds care and other applications.	7
TURF MASTER®/MULTI TRAC C/S - Commercial grade performance optimizes stability and traction.	8 – 9
TURF SMART® - Supreme traction, turf protection and durability for the pro turf maintenance market.	10
ULTRA TRAC - Ultra high flotation tires. Popular for large grounds maintenance equipment applications.	10
FAST TRAX® - Unique low profile tire features aggressive tread and great traction.	11
TURF CTR - Tread lightly with this low impact, round shouldered design.	11
SMOOTH - Turf-friendly smooth profile for pro mowers and grounds maintenance equipment.	12
STRAIGHT RIB - Another top turf care design. Great for ZTR, golf and other applications.	12
AT101 CHEVRON - Special lug with bar design for ZTR drive tires and other applications.	13
WHEELBARROW - Classic wheelbarrow rib for lawn carts, spreaders and wheelbarrows.	13
STUD - Versatile stud tread suitable for a variety of rugged applications.	14
SAWTOOTH® - Functional tread design popular for material handling equipment.	14
SUPER LUG/POWER TRAC/TRU POWER - Aggressive traction used for tiller and garden tractor applications.	15
FLAT FREE - Flat free assemblies for lawn and garden, wheelbarrows, hand trucks and lawn mowers.	16
TOUR MAX® - Upscale choice for golf cars and closed-community vehicles.	16
TURF GLIDE - A traditional course classic featuring shock absorbing sidewalls and round shoulder profile.	17
LINKS® - Premium level golf tire product with unmatched stability, durability and puncture resistance.	17
FAIRWAY PRO - A workhorse value delivering maximum golf course service.	17
CLASSIC RB - Classic RB is a high load capacity tire with a broad footprint for maximum turf protection.	17
INDUSTRIAL TRAX - Versatile tire designed for hard surface utility vehicle applications.	18
SNOW HOG - Snow thrower design with added traction.	18
XTRAC® - Aggressive tread for snow thrower and other push-behind applications.	19



POWERSPORTS

AT489 - A Powersports Industry favorite. The 489 is light, strong and stable.	22
AT489 II - New generation of the 489 is light, strong and stable.	23
AT489 XL - Lightweight, rated for exceptional intermediate to hard surface use.	23
TRAIL WOLF® - Forward traction design with extended wear compound for recreational use.	24
TRAIL PRO® - Constructed for increased shock absorption that offers a smooth ride under mixed conditions.	24
A-C-T - Radial construction, All-Conditions-Tire. Deep self-cleaning open tread.	25
A-C-T HD - Heavy duty All-Conditions-Tire with increased puncture resistance and load capabilities.	25
STRYKER® - Chevron design all-purpose tire that is work ready and self-cleaning.	26
TERRATHON® - Versatile all-terrain tire. Excellent for OE replacement.	26
BADLANDS A/R - Smooth-riding technology with a radial construction.	27
BADLANDS XTR - A beefed up Badlands radial construction with enhanced handling and traction.	27
BLACK ROCK® - Built strong and ready for any trail.	28
BLACK ROCK® M/S - Dominate the mud and snow with its unique tread design.	28
VERSA TRAIL® - All-purpose utility with tough-tread, durable 6 ply rated construction.	29
VERSA TRAIL® XTR - Extreme performance for multiple surfaces with reinforced belts.	29
TURF TAMER - From competitive track to recreation, the Turf Tamer is a longtime favorite.	29
TRAIL WOLF® SPORT - For the recreational rider offering sport specific front/rear tread designs.	30
ALL TRAIL® - Excellent for utility on pavement, concrete and hard-packed soil applications.	30
ALL TRAIL® II - An extension of the All Trail line. Workhorse applications.	30
HD FIELD TRAX - All around get-it-done field, farm and general outdoor favorite.	31
KNOBBY - Classic knobby tread design yielding both puncture resistance and traction.	31



TRAILER

RADIAL TRAIL® HD - Radial trailer tire offers increased tire life.	34
ULTRA SPORT RH - Ultra Sport RH features a low profile that provides a high performance look.	34
SPORT TRAIL® - Bias construction with a radial look.	35
SPORT TRAIL® LH - Perfect for boat, cargo, horse and stock, utility and specialty trailers.	36
USA TRAIL® - Complete line of bias products for applications requiring durable performance.	37
CSL 16 STEEL - Heavy duty hauling capabilities for large equipment and extremely heavy loads.	37



AGRICULTURE / CONSTRUCTION

FARM SPECIALIST® F-2 TRIPLE RIB - Triple rib front for improved steering in loose soil.	40
FARM SPECIALIST® F-2M QUAD RIB - Quad rib front design. Flotation and variable soil steering.	40
FARM SPECIALIST® F-3 - Industrial front for front backhoe loaders.	41
FARM SPECIALIST® FARM IMPLEMENT F-I - Highway Service Implements.	41
FARM SPECIALIST® HF-1 - Wide flotation implement tire for balers, wagons and harvest equipment.	42
FARM SPECIALIST® I-1 - Implement tire for wagons, tankers, seeders, balers and other flotation applications.	42 – 43
TRAC CHIEF® I-3 - Outstanding choice for backhoe applications. Traction implement design.	43
FARM SPECIALIST® R-1 - Multi-angle long bar tread for general farming applications.	44
FARM SPECIALIST® R-1-HA - High-angle straight bar tread for classic appearance.	44
TURF PRO R-3 / TURF PRO PLUS R-3 - Flotation tread design for general turf and mowing applications.	45
MULTI TRAC CS R-3 - For general turf and mowing applications for minimal ground disturbance.	45
XTRA GRIP® R-4 - Heavy duty design for backhoe and industrial applications.	45
WT300® - Turf-friendly compact skid steer tractor design for light duty applications.	46
USA LOADER® - Aerial platform lifts, backhoes, and skid steer tractor applications.	46
ULTRA GUARD LVT® - Extreme service skid steer tire with low void tread area.	46
TRAC CHIEF® - Standard duty skid steer and tractor traction applications.	47
TRAC CHIEF® XT - Standard duty full traction skid steer designs in extra load ratings.	47
GUARD DOG® HD - Premium level performance for skid steer and backhoe applications.	48
ULTRA GUARD® - Severe service skid steer with open shoulder tread design.	48
ULTRA GUARD® MX - Heavy Duty skid steer tire protects against damage from worksite debris.	48
CSL SERIES - Large diameter tires designed specifically for Agriculture.	49 – 53



INDUSTRIAL

INDUSTRIAL DEEP TRACTION - Standard service application for forklifts.	56
ROAD ROLLER - Heat resistant design for paving equipment.	56
INDUSTRIAL ALL PURPOSE - Multi-purpose tire for industrial equipment.	56
PREMIUM WIDE TRAC - Forklift and material handling applications - premium levels.	57
GROUND FORCE® ULTRA RIB GSE - Deep tread design with premium compounding for ground support equipment.	57



WHEELS

AG WHEELS - Steel - Boxed	60
TRAILER WHEELS - Steel and Aluminum Trailer Wheels - Boxed	60 – 63



TUBES AND FLAPS

TUBE FITMENTS & APPLICATIONS	66 – 73
TUBE STEMS	73

Turf and Lawn

RESIDENTIAL



TURF SAVER® 6



TURF SAVER® II 7



TURF TRAC R/S 7

PROFESSIONAL



TURF MASTER® 8



MULTI-TRAC C/S 8



TURF SMART® 10



ULTRA TRAC 10



FAST TRAX® 11



TURF CTR 11



SMOOTH 12



STRAIGHT RIB 12



AT 101 CHEVRON 13

Chore



WHEELBARROW 13



STUD 14



SAWTOOTH® 14



SUPER LUG 15



POWER TRAC 15



TRU POWER 15



FLAT FREE 16



Golf / Utility



TOUR MAX® 16



TURF GLIDE 17



LINKS® 17



FAIRWAY PRO 17



CLASSIC RB 17



INDUSTRIAL TRAX 18

Snow



SNOW HOG 18



XTRAC® 19



CONSUMER, COMMERCIAL TURF EQUIPMENT, GOLF CARS AND UTILITY VEHICLES

TURF SAVER®

With its classic square shouldered design, the Turf Saver tire is the market leader for residential riding lawn mowers worldwide. The flat profile and chevron tread provide excellent traction. Its turf-friendly design and breadth of line make it versatile in both application and fitment.

SIZE	PRODUCT CODE	PLY	DIAMETER†	WIDTH†	RIM WIDTH	MAX LOAD @ 10 MPH	MAX PSI	TIRE WEIGHT
9x3.50-4	5110111	4	8.8	3.6	2.50	260	50	2.0
4.10-4	5110251	2	10.9	3.8	2.50	225	24	2.8
11x4.00-4	5110271	2	11.2	4.1	2.50	215	24	3.0
11x4.00-5	5110101	2	10.9	4.0	3.00	210	22	3.2
13x5.00-6	5110201	2	12.8	4.7	3.50	290	20	3.5
13x5.00-6	5110211	4	13.0	4.8	3.50	440	40	4.3
13x6.50-6	5111851	2	13.3	6.5	4.50	320	14	5.5
13x6.50-6	5111861	4	13.4	6.3	4.50	480	28	5.9
15x6.00-6	5110301	2	14.3	6.4	4.50	365	14	4.8
16x6.50-8	5110951	2	16.3	6.6	5.38	380	12	6.0
16x6.50-8	5110961	4	16.4	6.4	5.38	615	28	6.7
16x7.50-8	5112001	2	16.4	7.0	5.38	480	12	7.5
4.80-8	5112501	2	16.5	4.8	3.75	440	20	5.7
18x6.50-8	5110981	2	17.2	6.4	5.38	520	14	6.6
18x6.50-8	5110991	4	17.2	6.5	5.38	760	28	8.0
18x7.50-8	5111021	4	18.0	7.2	5.38	805	24	9.6
18x8.50-8	5110701	2	17.9	8.2	7.00	520	10	9.0
18x8.50-8	5110711	4	18.2	8.2	7.00	825	22	10.0
18x9.50-8	5110841	2	17.8	9.5	7.00	695	12	10.6
18x9.50-8	6L05011	4	17.9	9.4	7.00	935	20	11.1
18x9.50-8	511082	6	18.5	9.5	7.00	1295	36	11.5
20x8.00-8	5110801	2	19.2	9.0	7.00	600	10	10.3
20x10.00-8	5111011	2	19.6	10.4	7.00	760	10	13.5
20x8.00-10	5111111	4	20.0	7.9	6.00	910	24	12.3
20x10.00-10	5111161	4	20.1	8.8	6.00	1225	24	14.2
21x7.00-10	511140	2	20.2	6.9	5.00	640	12	10.5
22x9.50-12	5110511	2	21.3	8.9	7.00	785	12	14.1
23x8.50-12	511090	2	23.1	8.5	7.00	715	10	13.5
23x9.50-12	511100	2	23.2	9.4	7.00	920	12	14.3
23x10.50-12	6L03381	2	22.8	10.4	8.50	880	10	17.2
23x10.50-12	6L05031	4	22.9	10.3	8.50	1320	20	18.0
24x12.00-12	511075	2	23.0	11.6	8.50	1140	10	19.4

All Outdoor Power Equipment are Non-Highway Service (NHS) Tires. † Indicates mounted diameter and mounted width



TURF SAVER® II

TURF TRAC R/S

TURF SAVER® II

The Turf Saver II tire is a modified version of the Turf Saver. It features a round shoulder profile and is designed for use on residential riding lawn mowers. It is also commonly used for towable lawn carts, spreaders, sprayers and other mower attachments.

SIZE	PRODUCT CODE	PLY	DIAMETER†	WIDTH†	RIM WIDTH	MAX LOAD @ 10 MPH	MAX PSI	TIRE WEIGHT
13x5.00-6	5112201	2	12.5	4.5	3.50	290	20	3.3
15x6.00-6	5112301	2	14.3	5.9	4.50	365	14	4.3
16x6.50-8	5112951	2	16.1	6.2	5.38	410	14	5.3
18x8.50-8	5112701	2	17.6	8.2	7.00	520	10	7.4
18x9.50-8	511284	2	17.8	9.1	7.00	695	12	6.6
20x8.00-8	5112801	2	19.1	8.9	7.00	600	10	8.8

All Outdoor Power Equipment are Non-Highway Service (NHS) Tires.
 † Indicates mounted diameter and mounted width

TURF TRAC R/S

The Turf Trac R/S tire offers all-around best performance in our residential product line. Applications include grounds care equipment, zero turn mowers and utility vehicles.

SIZE	PRODUCT CODE	PLY	DIAMETER†	WIDTH†	RIM WIDTH	MAX LOAD @ 10 MPH	MAX PSI	TIRE WEIGHT
11x4.00-5	5753331	2	10.6	4.0	3.00	210	22	2.7
15x6.00-6	5753191	4	14.4	6.3	4.50	565	30	6.0
16x6.50-8	6L02651	4	16.0	6.6	5.38	617	28	6.4
18x8.50-8	5753311	4	17.7	8.1	7.00	825	22	9.9
20x10.00-8	5753411	4	19.7	9.7	7.00	1200	22	11.5
225.x10.00-8	5753B71	4	22.6	10.5	7.00	1390	22	18.7
25x12.00-9	50D3T7	4	25.7	11.5	9.00	1820	20	18.9
20x10.00-10	50D362	4	19.6	9.4	8.00	1170	22	12.5
20x12.00-10	5753151	4	19.8	10.1	7.00	1320	20	15.8
22x9.50-10	5753N11	4	21.7	9.5	7.00	975	14	15.7
24x9.50-10	5753P2	4	24.3	9.8	7.75	1420	22	16.4
24x12.00-10	5753A61	4	24.4	11.9	7.75	1710	20	22.3
23x10.50-12	5753671	4	22.6	10.4	8.50	1320	20	14.1
24x12.00-12	575390	6	23.3	11.0	8.50	2270	32	21.4
26x12.00-12	50D363	10	25.3	12.4	10.50	3300	52	25.9

All Outdoor Power Equipment are Non-Highway Service (NHS) Tires.
 † Indicates mounted diameter and mounted width


TURF MASTER
MULTI-TRAC C/S

TURF MASTER® / MULTI-TRAC C/S

Turf Master / Multi-Trac C/S professional grade tires feature our most durable compound with deep tread lugs in a profile optimized for stability and traction.

TIRE	SIZE	PRODUCT CODE	PLY	DIAMETER†	WIDTH†	RIM WIDTH	MAX LOAD @ 10 MPH	MAX PSI	TIRE WEIGHT
Turf Master	13x6.50-6	5112491	4	13.4	6.1	4.50	480	28	5.8
Turf Master	15x6.00-6	5112521	4	14.4	6.0	4.50	565	30	6.0
Turf Master	15x6.50-8	6L03071	4	15.0	6.2	5.38	585	28	6.2
Turf Master	16x6.50-8	5114011	4	16.5	6.3	5.38	615	28	7.4
Turf Master	16x7.50-8	5114021	4	16.5	7.0	5.38	675	24	8.5
Turf Master	18x6.50-8	5114171	4	17.4	6.4	5.38	760	28	7.7
Multi-Trac C/S	18x7.00-8	574351	4	18.0	7.0	5.38	785	26	9.0
Turf Master	18x8.50-8	5114041	4	18.3	8.1	7.00	825	22	10.7
Multi-Trac C/S	18x8.50-8	574365	8	17.6	8.3	7.00	1280	44	14.3
Turf Master	18x9.50-8	5114131	4	18.1	9.2	7.00	1040	24	12.4
Multi-Trac C/S	18x9.50-8	574399	6	18.2	9.3	7.00	1295	36	12.3
Multi-Trac C/S	20x8.00-8	6L03221	2	19.2	9.0	7.00	600	10	10.4
Turf Master	20x10.00-8	5114051	4	19.9	10.3	7.00	1200	22	14.7
Multi-Trac C/S	18x8.50-10	5743U11	4	18.0	8.3	7.00	825	22	10.7
Multi-Trac C/S	18x8.50-10	6L0174	6	18.2	8.1	7.00	1050	32	11.0
Multi-Trac C/S	18x10.50-10	5743E51	4	17.9	10.1	8.50	995	20	14.2
Turf Master	20x7.00-10	5114271	4	20.5	7.7	6.00	910	26	12.8
Turf Master	20x8.00-10	5114281	4	20.2	8.1	6.00	910	24	14.2
Turf Master	20x10.00-10	5114161	4	20.0	8.8	6.00	1170	22	13.9
Turf Master	20x10.00-10	6L07411	6	19.5	9.5	7.00	1430	32	15.7
Turf Master	20x12.00-10	511257	4	20.1	10.3	8.00	1320	20	14.1
Turf Master	22x10.00-10	511256	4	22.1	9.8	7.00	1360	22	15.8
Turf Master	22x11.00-10	5112551	4	21.7	10.1	7.00	1480	22	15.5
Turf Master	22x9.50-12	5114331	4	22.0	9.2	7.00	1305	24	16.3
Turf Master	23x8.50-12	511419	4	22.9	8.4	7.00	1100	22	15.6
Multi-Trac C/S	23x8.50-12	574372	6	22.5	8.3	7.00	1430	34	18.6
Multi-Trac C/S	23x9.50-12	6L08381	4	23.0	9.2	7.00	1230	20	17.0
Turf Master	23x10.50-12	5114081	4	23.3	10.0	8.50	1390	20	17.5
Multi-Trac C/S	23x10.50-12	574353	6	22.5	10.2	8.50	1760	32	22.6
Turf Master	24x9.50-12	6L08371	4	23.6	9.5	7.00	1500	24	17.7
Multi-Trac C/S	25x9.00-12	574368	4	24.9	9.5	8.00	1520	24	17.5

All Outdoor Power Equipment are Non-Highway Service (NHS) Tires. † Indicates mounted diameter and mounted width



TURF MASTER®/ MULTI-TRAC C/S (continued)

TIRE	SIZE	PRODUCT CODE	PLY	DIAMETER†	WIDTH†	RIM WIDTH	MAX LOAD @ 10 MPH	MAX PSI	TIRE WEIGHT
Multi-Trac C/S	25x11.00-12	574369	4	25.2	10.8	8.00	1825	24	22.0
Turf Master	24x12.00-12	5114091	4	23.6	11.4	8.50	1710	20	22.6
Multi-Trac C/S	26x9.50-12	6L04091	4	25.5	9.3	7.00	1520	20	20.8
Multi-Trac C/S	26x12.00-12	5743611	4	25.4	11.4	8.50	1760	20	25.5
Multi-Trac C/S	26x12.00-12	5743771	6	25.6	11.5	8.50	2270	30	26.6
Multi-Trac C/S	24x8.50-14	574324	4	23.8	8.4	7.00	1230	22	17.7
Multi-Trac C/S	25x8.50-14	574339	4	25.0	8.6	7.00	1320	22	20.8
Multi-Trac C/S	25x8.50-14	574371	6	24.9	8.6	7.00	1650	32	23.9
Multi-Trac C/S*	27x8.50-15	574348	4	26.6	8.5	7.00	1230	30	26.2
Multi-Trac C/S*	27x8.50-15	574356	6	26.6	8.6	7.00	1570	45	25.9
Multi-Trac C/S*	27x10.50-15	5743H6	4	26.9	10.2	8.50	1320	30	30.1
Multi-Trac C/S*	27x10.50-15	560371	8	27.0	10.5	8.50	1870	60	32.1
Multi-Trac C/S*	29x12.50-15	560478	10	29.0	12.5	10.00	2470	60	39.7
Multi-Trac C/S*	31x13.50-15	560362	4	31.5	13.5	10.00	1650	20	46.1

All Outdoor Power Equipment are Non-Highway Service (NHS) Tires.

† Indicates mounted diameter and mounted width

*NOTE: Max load @ 30 MPH



TURF SMART®

The Turf Smart tire provides traction, turf protection and durability for all of your grounds care needs. Traction is enhanced through an innovative tread design featuring a self-cleaning Groove Ejection System which helps to keep the tread pattern fully engaged with the turf. This provides consistent performance required by grounds care professionals. Used primarily on ZTRs, riding mowers and other grounds care equipment.

SIZE	PRODUCT CODE	PLY	DIAMETER†	WIDTH†	RIM WIDTH	MAX LOAD @ 10 MPH	MAX PSI	TIRE WEIGHT
18x8.50-8	6L01801	4	18.3	8.4	7.00	825	22	9.6
18x8.50-10	6L01791	4	18.0	8.0	7.00	825	22	10.9
20x8.00-10	6L01781	4	19.8	7.8	6.00	910	24	11.0
20x10.00-8	6L01771	4	20.0	9.9	7.00	1200	22	12.4
20x10.00-10	6L01761	4	19.8	9.9	8.00	1170	22	13.0
22x11.00-10	6L01751	4	21.9	10.4	7.00	1480	22	19.0
22x9.50-12	6L0162	4	21.6	9.0	7.00	1170	20	15.0
23x9.50-12	6L0161	4	22.9	9.2	7.00	1230	20	16.3
23x10.50-12	6L0160	4	22.8	10.5	8.50	1320	20	17.2
24x9.50-12	6L0159	4	23.6	9.4	7.00	1360	20	17.0
24x12.00-12	6L0055	4	23.4	11.4	8.50	1710	20	21.0
26x12.00-12	6L0220	4	25.8	12.2	9.50	1760	20	24.8

All Outdoor Power Equipment are Non-Highway Service (NHS) Tires.

† Indicates mounted diameter and mounted width

ULTRA TRAC

The Ultra Trac tire is the right approach for those specialized applications where high flotation and turf preservation is essential. With a wide, flat footprint and reduced void in the tread it offers maximum turf protection. Ultra Trac tires are most often utilized on golf and grounds maintenance equipment.

SIZE	PRODUCT CODE	PLY	DIAMETER†	WIDTH†	RIM WIDTH	MAX LOAD @ 10 MPH	MAX PSI	TIRE WEIGHT
24x13.00-12	529368	4	23.0	12.9	10.50	1760	18	27.0
24x13.00-12	529387	6	23.4	12.9	10.50	2270	28	28.4
26.5x14.00-12	529386	4	26.5	14.4	10.50	2150	18	33.3
29x14.00-15*	5293E6	6	28.6	14.3	11.00	1710	30	47.3

All Outdoor Power Equipment are Non-Highway Service (NHS) Tires.

† Indicates mounted diameter and mounted width

*NOTE: Max load @ 30 MPH



FAST TRAX®

The Fast Trax tire offers increased traction combined with a low profile and is typically used on professional riding mowers where hillside traction is desired.

SIZE	PRODUCT CODE	PLY	DIAMETER†	WIDTH†	RIM WIDTH	MAX LOAD @ 10 MPH	MAX PSI	TIRE WEIGHT
18x11.00-10	501043	4	17.7	9.7	8.50	1100	22	13.0

All Outdoor Power Equipment are Non-Highway Service (NHS) Tires.
 † Indicates mounted diameter and mounted width



TURF CTR

The Turf CTR tire is a broad shouldered, low impact tire used on professional ZTR mowers when treading lightly is critical.

SIZE	PRODUCT CODE	PLY	DIAMETER†	WIDTH†	RIM WIDTH	MAX LOAD @ 10 MPH	MAX PSI	TIRE WEIGHT
22x11.00-8	511501	4	22.4	10.8	9.00	935	10	14.3

All Outdoor Power Equipment are Non-Highway Service (NHS) Tires.
 † Indicates mounted diameter and mounted width



SMOOTH

STRAIGHT RIB

TRANSPORT VEHICLES, RIDING MOWERS, GARDEN TRACTORS, FARM EQUIPMENT AND WHEELBARROWS

SMOOTH

Commonly used on front swivel casters for professional ZTR mowers, the Smooth tire has tapered edges to facilitate easy swivel action without turf damage. The Smooth tire contains specially formulated rubber compounds for professional grade durability.

SIZE	PRODUCT CODE	PLY	DIAMETER†	WIDTH†	RIM WIDTH	MAX LOAD @ 10 MPH	MAX PSI	TIRE WEIGHT
8x3.00-4	5120081	4	8.2	2.9	2.50	120	30	1.6
9x3.50-4	5120101	4	8.9	3.7	2.50	260	50	2.5
11x4.00-5	5120111	4	11.2	4.1	3.50	330	46	2.9
11x6.00-5	5100521	4	11.1	5.2	3.25	450	42	4.4
13x5.00-6	5120211	4	12.7	4.8	3.50	440	40	4.2
13x6.50-6	5121861	4	12.9	5.9	4.50	480	28	5.0
4.80-8	5120511	4	16.8	4.8	3.75	760	70	4.2
18x9.50-8	5109811	4	17.8	9.3	7.00	1020	24	11.0
18x10.50-10	6L0149	4	18.4	9.3	8.00	1100	24	13.2
20x10.00-10	586325	2	19.5	9.5	8.50	815	12	12.9
24x13.00-12	510710	4	23.7	13.1	10.50	1730	18	28.8

All Outdoor Power Equipment are Non-Highway Service (NHS) Tires.

† Indicates mounted diameter and mounted width

STRAIGHT RIB

The Straight Rib tire is designed with tread grooves to channel moisture away from the contact patch and provides a slight lateral traction which can be helpful when traversing mild inclines.

SIZE	PRODUCT CODE	PLY	DIAMETER†	WIDTH†	RIM WIDTH	MAX LOAD @ 10 MPH	MAX PSI	TIRE WEIGHT
11x4.00-4	5110921	4	10.4	4.1	2.50	330	46	3.4
11x4.00-5	5180111	4	11.1	4.2	3.00	330	46	3.3
13x5.00-6	5180211	4	12.8	4.7	3.50	440	40	4.1
13x6.50-6	5181861	4	13.0	5.9	4.50	480	28	5.0
15x6.00-6	5180311	4	14.4	6.1	4.50	565	30	5.9
16x6.50-8	5180961	4	16.0	6.5	5.38	615	28	6.7
18x9.50-8	518081	4	17.7	9.3	7.00	1020	24	9.8
20x10.00-10*	5181161	4	20.0	8.8	6.00	1170	22	14.1
26x12.00-12	518711	4	25.0	11.7	10.50	1760	20	20.7

All Outdoor Power Equipment are Non-Highway Service (NHS) Tires.

† Indicates mounted diameter and mounted width

*NOTE: The 20x10.0-10.0 is called a Turf Glide tire.



AT101 CHEVRON

AT101 Chevron is a specialty lug design with bars that taper in the shoulder area. This feature, along with muted lug depth, allows it to be used as a drive tire on zero turn mowers when extra traction is needed.

SIZE	PRODUCT CODE	PLY	DIAMETER†	WIDTH†	RIM WIDTH	MAX LOAD @ 10 MPH	MAX PSI	TIRE WEIGHT
21x11.00-8	599044	4	21.0	10.8	8.50	1390	22	17.1
21x11.00-10	599050	4	20.9	10.4	8.50	1390	22	15.7
24x12.00-12	560352	4	24.0	12.0	9.50	1710	20	22.3

All Outdoor Power Equipment are Non-Highway Service (NHS) Tires.
 † Indicates mounted diameter and mounted width



RIDING MOWERS, GARDEN TRACTORS, SNOW THROWERS, TILLERS, ATV'S AND UTILITY VEHICLES

WHEELBARROW

The Wheelbarrow tire is a versatile utility tire. Its rib design provides lateral traction. This tire is an excellent choice for lawn carts, spreaders and wheelbarrows.

SIZE	PRODUCT CODE	PLY	DIAMETER†	WIDTH†	RIM WIDTH	MAX LOAD @ 10 MPH	MAX PSI	TIRE WEIGHT
4.00-6	5134371	2	13.7	4.0	2.50	330	30	2.3
4.80-8	5134511	2	15.8	3.8	2.50	550	30	2.8
4.80-8	5130511	4	16.5	4.6	3.75	765	70	4.1

All Outdoor Power Equipment are Non-Highway Service (NHS) Tires.
 † Indicates mounted diameter and mounted width



UTILITY CARTS, WHEELBARROWS, PRESSURE WASHERS, GENERATORS, HAND TRUCKS, LAWN EQUIPMENT, AND FUN CARTS

STUD

With its aggressive appearance, the Stud tire grips on a multitude of terrains including soft dirt and snow. Commonly used for utility applications, such as hand trucks, power washers and industrial carts.

SIZE	PRODUCT CODE	PLY	DIAMETER†	WIDTH†	RIM WIDTH	MAX LOAD @ 10 MPH	MAX PSI	TIRE WEIGHT
4.10-4	5160251	2	10.6	3.6	2.50	225	24	2.4
4.10-5	5160301	2	11.6	3.8	3.00	260	24	2.5
4.10-6	5160351	2	12.5	3.9	3.25	290	24	2.7
4.80-8	5160501	2	16.4	4.7	3.75	440	20	4.6
4.80-8	5164291	4	16.3	4.7	3.75	670	42	6.1

All Outdoor Power Equipment are Non-Highway Service (NHS) Tires.
 † Indicates mounted diameter and mounted width



SAWTOOTH®

The Sawtooth tire delivers smooth rolling performance for utility based equipment. Commonly used for wheelbarrows, pressure washers, generators, hand trucks and lawn equipment, the Sawtooth tire is utilized in various applications.

SIZE	PRODUCT CODE	PLY	DIAMETER†	WIDTH†	RIM WIDTH	MAX LOAD @ 10 MPH	MAX PSI	TIRE WEIGHT
2.80-4	5190011	4	9.0	2.9	2.50	180	50	1.6
4.10-4	5190251	2	10.6	3.6	2.50	225	24	2.4
4.10-4	5190261	4	10.6	3.7	2.50	350	50	2.7
4.10/3.50-6	5190361	4	13.1	4.2	3.25	495	85	4.0
5.30/4.50-6	519067	6	14.6	5.3	3.50	885	95	5.6
4.80/4.00-8	5190501	2	16.0	4.6	3.75	510	35	4.8

All Outdoor Power Equipment are Non-Highway Service (NHS) Tires.
 † Indicates mounted diameter and mounted width



RIDING MOWERS, GARDEN TRACTORS, SNOW THROWERS, TILLERS, ATV'S AND UTILITY VEHICLES

SUPER LUG, POWER TRAC AND TRU POWER

Super Lug, Power Trac and Tru Power tires are most often found on garden tractors, tillers and trenchers. This powerful line is the right choice whenever the application requires substantial traction.

TIRE	SIZE	PRODUCT CODE	PLY	DIAMETER [†]	WIDTH [†]	RIM WIDTH	MAX LOAD @ 10 MPH	MAX PSI	TIRE WEIGHT
Super Lug	13x5.00-6	5100201	2	13.1	4.5	3.50	290	20	4.0
Super Lug	14x4.50-6	5100251	2	14.5	4.4	3.25	320	20	3.9
Super Lug	16x6.50-8	5100961	4	16.5	6.3	5.38	615	28	8.1
Power Trac	4.80-8	5109501	2	16.2	4.1	2.50	440	20	5.3
Super Lug	18x9.50-8	5100801	2	18.0	8.7	7.00	695	12	13.5
Super Lug	20x10.00-8	6L03301	4	20.1	10.0	7.00	1200	22	16.7
Tru Power	18x8.50-10	5233111	4	18.1	7.8	6.00	825	22	11.5
Tru Power	6-12	5233C3	4	22.8	5.5	4.00	590	28	12.8
Tru Power	23x8.50-12	523301	4	22.6	8.3	7.00	1100	22	16.3
Tru Power	23x10.50-12	523367	4	23.3	10.4	7.00	1390	20	25.4
Tru Power	26x12.00-12	523361	4	25.6	12.3	8.50	1760	20	32.4
Tru Power	26x12.00-12	523360	8	25.6	12.3	10.50	3000	42	38.4
Tru Power*	29x12.50-15	5233D4	6	29.3	11.6	10.00	1650	30	43.6
Tru Power*	31x15.50-15	5233A4	8	31.4	15.1	13.00	2760	45	73.5

All Outdoor Power Equipment are Non-Highway Service (NHS) Tires.

[†] Indicates mounted diameter and mounted width

*NOTE: Max load at 30 MPH



SUPER LUG

POWER TRAC

TRU POWER


HAND TRUCKS, WHEELBARROWS, TURF AND CHORE APPLICATIONS
FLAT FREE

Carlisle branded flat free full assemblies are made with solid micro-cellular polyurethane material to reduce flat returns. With its flat-free technology, no maintenance is required.

SIZE	PRODUCT CODE	TREAD	HUB	BEARINGS	DIAMETER††	WIDTH†	TIRE + WHEEL WEIGHT	WEIGHT CAPACITY	CASE QTY
Universal Wheelbarrow	483791	Ribbed	3" Centered with Spacers	5/8" & 3/4"	14.5	3.2	6.0	300	6
Universal Hand Truck	483811	Sawtooth	2.25" Offset with Spacers	5/8" & 3/4"	10.3	3.2	3.8	300	6
2.80/2.50-4	483871	Sawtooth	3" Centered	1/2" Precision	8.4	3.0	3.0	275	6
9x3.50-4	483831	Smooth	4" Centered	3/4" Bushing	9.3	3.2	3.9	300	6
4.10/3.50-4	483801	Sawtooth	2.25" Offset	5/8" Precision	10.4	3.4	4.0	300	6
11x4.00-5	483821	Smooth	5" Centered	5/8" Bushing	10.7	4.0	5.8	350	6
4.00-6	483771	Ribbed	3" Centered	5/8" Precision	13.2	3.2	5.1	300	6
13x5.00-6	483851	Turf	3" Centered	3/4" Bushing	13.3	4.5	8.1	400	3
13x6.50-6	483841	Turf	3" Centered	3/4" Bushing	13.5	6.2	11.5	400	3
15x6.50-6	483861	Turf	3" Centered	3/4" Bushing	14.0	6.3	12.1	500	3
4.80/4.00-8	483761	Ribbed	6" Centered	5/8" Precision	15.5	3.4	8.1	500	6
4.80/4.00-8	483781	Ribbed	3" Centered	3/4" Precision	15.5	3.4	8.0	500	6

All Outdoor Power Equipment are Non-Highway Service (NHS) Tires.

† Indicates mounted diameter and mounted width

†† Indicates overall diameter

GOLF CARS AND UTILITY VEHICLES
TOUR MAX®

The Tour Max tire is a smooth riding tire designed primarily for golf cars and closed community vehicles. The tread pattern, rubber compound and tire construction provide durability as well as ride comfort on hard surface paths.

SIZE	PRODUCT CODE	PLY	DIAMETER†	WIDTH†	RIM WIDTH	MAX LOAD @ 10 MPH	MAX PSI	TIRE WEIGHT
18x8.50-8	6L02221	4	17.7	8.4	7.00	825	22	9.9
18.5x8.50-8	5191481	LR B	18.1	8.1	7.00	675	30	11.7
205/50-10	5191461	LR B	18.7	7.6	7.00	675	30	11.8

All Outdoor Power Equipment are Non-Highway Service (NHS) Tires. † Indicates mounted diameter and mounted width



TURF GLIDE

One of the original golf car tires, the Turf Glide tire has a tall sidewall to absorb impact and a turf-friendly round contour profile.

SIZE	PRODUCT CODE	PLY	DIAMETER†	WIDTH†	RIM WIDTH	MAX LOAD @ 10 MPH	MAX PSI	TIRE WEIGHT
8.00-6 *	508040	4	17.6	7.1	3.25	410	20	8.0

All Outdoor Power Equipment are Non-Highway Service (NHS) Tires. † Indicates mounted diameter and mounted width *NOTE: Turf Glide is a Tube Type (TT) Tire.

LINKS®

The Links tire is a premier tire for the golf car market featuring a wide footprint, strong sidewall and wear-resistant rubber compound providing unmatched stability and durability.

SIZE	PRODUCT CODE	PLY	DIAMETER†	WIDTH†	RIM WIDTH	MAX LOAD @ 10 MPH	MAX PSI	TIRE WEIGHT
18x8.50-8	5192711	4	17.4	8.6	7.00	825	22	11.7

All Outdoor Power Equipment are Non-Highway Service (NHS) Tires. † Indicates mounted diameter and mounted width



Tour Max

Turf Glide

Links

Fairway Pro

FAIRWAY PRO

The Fairway Pro tire is an excellent value providing long hours of dependable performance on the course or park grass.

SIZE	PRODUCT CODE	PLY	DIAMETER†	WIDTH†	RIM WIDTH	MAX LOAD @ 10 MPH	MAX PSI	TIRE WEIGHT
18x8.50-8	5189761	4	18.2	8.4	7.00	825	22	11.5

All Outdoor Power Equipment are Non-Highway Service (NHS) Tires. † Indicates mounted diameter and mounted width

CLASSIC RB

Classic RB is a high load capacity tire with a broad footprint for maximum turf protection.

SIZE	PRODUCT CODE	PLY	DIAMETER†	WIDTH†	RIM WIDTH	MAX LOAD @ 10 MPH	MAX PSI	TIRE WEIGHT
18x9.50-8	5832D8	10	17.6	8.7	7.00	1780	60	13.4

All Outdoor Power Equipment are Non-Highway Service (NHS) Tires. † Indicates mounted diameter and mounted width


HARD SURFACE UTILITY VEHICLE
INDUSTRIAL TRAX

The Industrial Trax tire is designed for hard surface utility vehicle applications such as concession vehicles on golf courses.

SIZE	PRODUCT CODE	PLY	DIAMETER†	WIDTH†	RIM WIDTH	MAX LOAD @ 10 MPH	MAX PSI	TIRE WEIGHT
20x10.00-10	599581	4	20.0	10.0	8.00	1170	22	13.7
23x10.50-12	599045	4	22.5	10.4	8.50	1340	20	21.8
25x8.50-12	560445	6	24.8	8.5	7.00	1650	30	19.0
25x10.50-12	560446	6	25.0	10.5	7.00	1980	30	29.2

All Outdoor Power Equipment are Non-Highway Service (NHS) Tires.
 † Indicates mounted diameter and mounted width


SNOW HOG

With its distinctive "X" shaped tread elements, the Snow Hog tire has an aggressive design made to plow through soft terrain. Used primarily for snow-blowers.

SIZE	PRODUCT CODE	PLY	DIAMETER†	WIDTH†	RIM WIDTH	MAX LOAD @ 10 MPH	MAX PSI	TIRE WEIGHT
4.10-4	5170041	2	11.0	3.7	2.50	225	24	2.8
4.10-6	5170051	2	12.8	4.0	3.25	290	24	3.2
15x5.00-6	5170081	2	14.8	5.0	3.50	405	20	4.8
4.80-8	5170011	2	16.2	4.7	3.75	440	20	5.5
16x6.50-8	5170021	2	16.4	6.2	5.38	410	14	6.2
18x6.50-8	5170101	4	17.2	6.6	5.38	760	28	7.6

All Outdoor Power Equipment are Non-Highway Service (NHS) Tires.
 † Indicates mounted diameter and mounted width



RIDING MOWERS, GARDEN TRACTORS, SNOW THROWERS, TILLERS, ATV'S AND UTILITY VEHICLES

XTRAC®

The XTRAC tire is excellent for snow throwing equipment and other applications requiring aggressive traction. It features a unique lug design for traction across the entire face of the tire.

SIZE	PRODUCT CODE	PLY	DIAMETER†	WIDTH†	RIM WIDTH	MAX LOAD @ 10 MPH	MAX PSI	TIRE WEIGHT
13x4.00-6	5170151	2	12.8	4.0	3.25	280	22	3.5
13x5.00-6	5170161	2	12.9	4.7	3.50	290	20	4.6
15x5.00-6	5170171	2	14.6	5.1	3.50	395	20	5.3
4.80-8	5170111	2	16.6	4.7	3.75	440	20	5.8
16x6.50-8	5170181	2	16.4	6.0	5.38	410	14	7.0

All Outdoor Power Equipment are Non-Highway Service (NHS) Tires.
 † Indicates mounted diameter and mounted width

All Purpose



AT489 22



AT489 II 23



AT489 XL 23



TRAIL WOLF® 24



TRAIL PRO® 24



A-C-T 25



A-C-T HD 25



STRYKER® 26



TERRATHON® 26



BADLANDS A/R 27



BADLANDS XTR 27

Mud



BLACK ROCK® 28



BLACK ROCK® M/S 28





Sport / Performance



VERSA TRAIL® 29



VERSA TRAIL® XTR 29



TURF TAMER 29



FRONT

TRAIL WOLF® SPORT 30



REAR

TRAIL WOLF® SPORT 30

Hard Packed Turf



ALL TRAIL® 30



ALL TRAIL® II 30

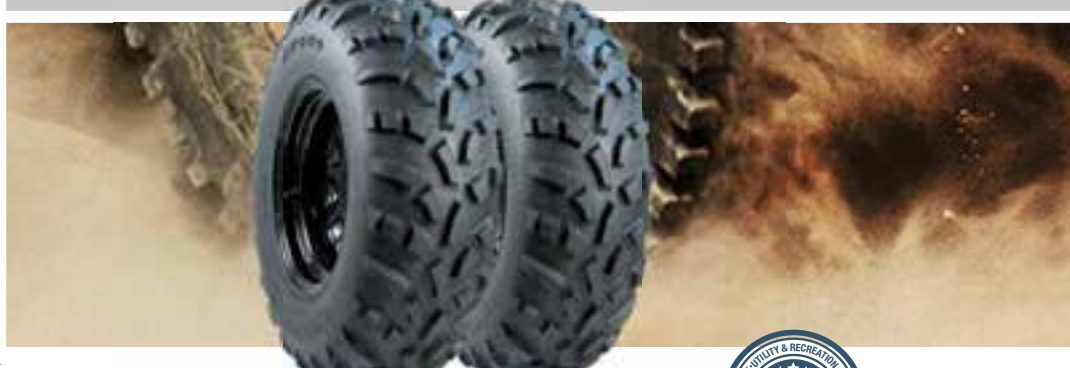


HD FIELD TRAX 31



KNOBBY 31




UTILITY VEHICLES, SIDE BY SIDE VEHICLES
AT489

The AT489 tire is a popular original equipment replacement tire and strikes a great balance between lightweight and puncture resistance. It has outstanding grip on loose terrain without giving up the comfortable ride on hard-packed surfaces, soft surfaces and mud.

SIZE	PRODUCT CODE	STAR/PLY	DIAMETER†	WIDTH†	RIM WIDTH	MAX LOAD @ 50 MPH	MAX PSI	TIRE WEIGHT	TREAD DEPTH (32nds)
22X9.50-10 NHS	5793N1	4 PR	22.1	9.6	7.00	585	14	15.8	19
AT22X11.00-10	5893V0	2*	22.0	11.1	8.00	330	5	15.8	19
22X11.00-10 NHS	5893H5	4 PR	22.0	10.0	8.00	620	12	16.0	19
AT23X7.00-10	5893M0	2*	23.0	7.0	6.00	240	5	11.6	19
AT23X10.00-10	589327	3*	23.4	9.5	8.00	375	7	17.1	19
AT23X8.00-11	589304	3*	23.5	7.5	6.50	290	7	14.1	19
24X12.00-10 NHS	5793A6	4 PR	24.0	12.0	9.50	1020	20	22.7	19
24x9.50-10 NHS	5793P2	4 PR	24.2	9.6	7.80	870	22	17.8	19
24X10.50-10 NHS	5793N9	4 PR	24.4	10.5	7.80	730	14	19.3	19
AT24X11.00-10	589305	3*	24.3	9.8	9.00	440	7	17.0	19
AT25X11.00-10	589308	3*	25.1	10.6	9.00	455	7	19.8	19
AT24X8.00-11	589332	3*	24.2	8.6	6.50	320	7	17.3	19
AT24X9.00-11	5893A9	3*	24.3	9.1	7.50	365	7	17.2	19
AT24X10.00-11	589328	3*	24.6	9.6	8.00	395	7	17.9	19
AT23X8.00-12	589329	3*	23.1	7.4	6.50	280	7	13.1	19
AT23X10.00-12	589330	3*	23.4	9.1	8.00	365	7	16.7	19
AT24X8.00-12	589337	3*	24.2	8.0	6.50	310	7	13.8	19
24x8.00-12 NHS	6P0472	4 PR	24.7	7.5	6.50	715	22	14.0	19
AT24X9.00-12	589342	2*	23.8	8.9	8.00	265	5	16.5	19
24x9.00-12 NHS	6P0473	4 PR	24.7	8.3	7.00	760	20	16.6	19
AT24X11.00-12	589344	3*	24.0	10.9	9.00	430	7	20.3	19
25X8.00-12 NHS	589306	4 PR	25.3	7.4	6.00	495	10	14.1	19
25X8.00-12 NHS	589359	4 PR	25.3	7.6	6.50	785	22	14.3	19
25X10.00-12 NHS	589335	4 PR	25.3	9.0	8.00	600	10	16.8	19
25X10.00-12 NHS	560416	4 PR	25.8	9.1	8.00	1005	24	18.9	19
25X11.00-12 NHS	589351	4 PR	25.4	10.2	8.00	1050	22	20.1	19
25X11.00-12 NHS	560414	4 PR	25.5	10.5	8.00	1050	22	21.2	19
AT26X10.00-12	589336	2*	25.7	9.8	8.00	385	5	18.8	19

NHS tires are Non-Highway Service Tires. "AT" tires are designed for ATV applications. "NHS" tires are designed for Utility Vehicle applications.

† Indicates mounted diameter and mounted width

*NOTE: "AT" tires are Star Rated. "NHS" tires are Ply Rated (PR).



AT 489 II

AT 489 XL



AT489 II

The AT489 II tire is the next generation of the original AT489. It features dependable performance for a wide range of terrain conditions like soft to intermediate surfaces. Made in the USA.

SIZE	PRODUCT CODE	STAR/PLY	DIAMETER†	WIDTH†	RIM WIDTH	MAX LOAD @ 50 MPH	MAX PSI	TIRE WEIGHT	TREAD DEPTH (32nds)
AT26X8.00-14	560565	3*	26.0	7.8	6.00	355	7	16.6	20
AT26X10.00-14	560568	3*	26.3	9.8	8.00	430	7	21.9	20
27X9.00-12 NHS	6P0371	6 PR	27.2	9.0	7.00	1230	32	21.0	20
27X11.00-12 NHS	6P0372	6 PR	27.4	11.4	9.00	1520	34	29.9	20

NHS tires are Non-Highway Service Tires. "AT" tires are designed for ATV applications. "NHS" tires are designed for Utility Vehicle applications.

† Indicates mounted diameter and mounted width

*NOTE: "AT" tires are Star Rated. "NHS" tires are Ply Rated (PR).



AT489 XL

The AT489 XL tire is the heavy duty version of the original AT 489. It is an excellent choice for intermediate to hard surface use featuring a 3/4 inch lug depth and lightweight construction. Made in the USA.

SIZE	PRODUCT CODE	STAR/PLY	DIAMETER†	WIDTH†	RIM WIDTH	MAX LOAD @ 50 MPH	MAX PSI	TIRE WEIGHT	TREAD DEPTH (32nds)
AT25X8.00-12	560490	3*	25.3	7.6	6.50	340	7	16.0	23
AT25X11.00-12	560491	3*	25.5	10.8	9.00	455	7	21.1	23
AT26X8.00-12	560480	3*	26.1	7.8	6.50	375	7	17.8	23
AT26X9.00-12	560460	3*	26.0	8.9	7.00	410	7	18.9	23
26x9.00-12 NHS	560570	4 PR	27.0	8.8	7.00	1020	20	19.0	23
AT26X11.00-12	560461	3*	26.3	11.0	9.00	480	7	24.5	23
26x11.00-12 NHS	560571	4 PR	27.0	10.8	9.00	1280	22	24.7	23
AT27X9.00-12	560470	3*	27.0	8.9	7.00	440	7	19.0	23
AT27X11.00-12	560471	3*	27.3	12.1	8.00	495	7	24.9	23

NHS tires are Non-Highway Service Tires. "AT" tires are designed for ATV applications. "NHS" tires are designed for Utility Vehicle applications.

† Indicates mounted diameter and mounted width

*NOTE: "AT" tires are Star Rated. "NHS" tires are Ply Rated (PR).



TRAIL WOLF

TRAIL PRO



UTILITY VEHICLES, SIDE BY SIDE VEHICLES

TRAIL WOLF®

The Trail Wolf tire features a deep, wrap around tread that promotes forward traction while minimizing lateral slip. Trail Wolf is made with stiff sidewalls that increase cornering control and a compound formulated for extended wear.

SIZE	PRODUCT CODE	STAR/PLY	DIAMETER [†]	WIDTH [†]	RIM WIDTH	MAX LOAD @ 50 MPH	MAX PSI	TIRE WEIGHT	TREAD DEPTH (32nds)
AT19x7.00-8	5370371	1*	19.0	6.8	5.50	143	4	8.1	9
AT19x8.00-8	537038	1*	19.0	7.1	6.00	161	4	9.0	8
AT20x7.00-8	5370391	1*	19.5	6.9	5.50	157	4	8.7	9
AT20x11.00-9	537034	3*	20.2	10.5	9.00	340	7	12.7	16
AT22x10.00-9	537055	3*	21.7	10.7	9.00	355	7	15.8	16
AT25x12.00-9	537082	3*	26.0	12.0	10.00	495	7	24.5	16
20X11.00-10 NHS	510015	4 PR	20.3	10.6	9.00	760	22	13.1	14
AT21x7.00-10	537084	3*	21.5	6.8	5.50	235	7	12.7	16
AT22x7.00-10	537048	3*	22.2	6.7	5.50	255	7	12.5	16
AT22x10.00-10	537049	3*	23.5	9.2	8.00	355	7	16.5	16
AT25x12.00-10	537085	3*	25.0	11.8	10.00	495	7	20.9	15
AT22x7.00-11	537054	3*	21.8	7.3	6.50	245	7	12.8	16
25x8.00-12 NHS	537062	4 PR	25.9	7.5	6.50	785	24	16.0	16
25x11.00-12 NHS	537065	4 PR	26.5	9.2	8.00	1050	22	20.7	16

NHS tires are Non-Highway Service Tires. "AT" tires are designed for ATV applications. "NHS" tires are designed for Utility Vehicle applications.
[†] Indicates mounted diameter and mounted width *NOTE: "AT" tires are STAR Rated. "NHS" tires are Ply Rated. (PR).

TRAIL PRO®

The Trail Pro tire is a lightweight, versatile tire that is constructed for better shock absorption and a smoother ride under mixed trail conditions. The non-directional tread pattern provides comfortable cornering, leaving roots and rocks in its track.



SIZE	PRODUCT CODE	STAR/PLY	DIAMETER [†]	WIDTH [†]	RIM WIDTH	MAX LOAD @ 40 MPH	MAX PSI	TIRE WEIGHT	TREAD DEPTH (32nds)
25x10.00-12 NHS	6P0164	4 PR	25.9	9.7	7.50	965	22	19.8	19
25x8.00-12 NHS	6P0165	4 PR	25.7	8.0	6.50	935	22	16.4	19
26x9.00-12 NHS	6P0205	4 PR	26.7	8.8	7.00	1050	20	18.8	19
26x11.00-12 NHS	6P0206	4 PR	26.5	11.1	8.00	1320	22	23.4	19

SIZE	PRODUCT CODE	STAR/PLY	DIAMETER [†]	WIDTH [†]	RIM WIDTH	MAX LOAD @ 50 MPH	MAX PSI	TIRE WEIGHT	TREAD DEPTH (32nds)
27x9.00-14 NHS	6P0207	6 PR	27.8	8.7	7.00	1200	32	20.5	19
27x11.00-14 NHS	6P0208	6 PR	27.6	10.6	8.00	1480	34	25.3	19

NHS tires are Non-Highway Service Tires. "AT" tires are designed for ATV applications. "NHS" tires are designed for Utility Vehicle applications.
[†] Indicates mounted diameter and mounted width



A-C-T

A-C-T HD

**UTILITY VEHICLES, SIDE BY SIDE VEHICLES****A-C-T**

The A-C-T tire features advanced radial construction to absorb trail hazards and ride disturbances. The radial design increases both traction and ride quality. The A-C-T tire has an aggressive open lug tread pattern with a $\frac{3}{4}$ inch tread depth. Made in the USA.

SIZE	PRODUCT CODE	STAR/PLY	DIAMETER [†]	WIDTH [†]	RIM WIDTH	MAX LOAD @ 50 MPH	MAX PSI	TIRE WEIGHT	TREAD DEPTH (32nds)
AT25X8.00R12	560425	3*	25.0	7.8	6.50	340	1	16.7	24
AT25X11.00R12	560426	3*	25.7	10.6	9.00	455	1	23.3	24
26X8.00R12 NHS	560441	4 PR	26.3	7.9	6.50	550	10	17.8	24
26X10.00R12 NHS	560442	4 PR	26.6	10.4	8.00	640	10	24.4	24

NHS tires are Non-Highway Service Tires. "AT" tires are designed for ATV applications. "NHS" tires are designed for Utility Vehicle applications.
[†] Indicates mounted diameter and mounted width *NOTE: "AT" tires are Star Rated. "NHS" tires are Ply Rated (PR).

**A-C-T HD**

The A-C-T HD tire is a 6 ply rated radial tire with higher pressure, load capacities and larger sizes than the original A-C-T tire. This tire features increased carcass strength for less sidewall flex and self-cleaning tread design. Made in the USA.

SIZE	PRODUCT CODE	STAR/PLY	DIAMETER [†]	WIDTH [†]	RIM WIDTH	MAX LOAD @ 50 MPH	MAX PSI	TIRE WEIGHT	TREAD DEPTH (32nds)
25X8.00R12 NHS	560481	6 PR	25.9	7.7	6.50	700	18	21.0	32
25X11.00R12 NHS	560482	6 PR	26.2	10.1	8.00	935	18	26.6	32
26X8.00R12 NHS	6P0360	6 PR	26.1	8.2	6.50	550	10	21.7	32
26X9.00R12 NHS	560465	6 PR	26.7	8.6	7.00	830	18	25.0	32
26X10.00R12 NHS	6P0361	6 PR	26.7	9.7	8.00	640	10	27.3	32
26X11.00R12 NHS	560466	6 PR	27.2	10.0	8.00	985	18	29.2	32
27X9.00R12 NHS	560472	6 PR	27.5	8.9	7.00	890	18	25.6	32
27X11.00R12 NHS	560473	6 PR	27.5	10.6	8.00	1045	18	31.1	32

NHS tires are Non-Highway Service Tires. "AT" tires are designed for ATV applications. "NHS" tires are designed for Utility Vehicle applications.
[†] Indicates mounted diameter and mounted width



ATVS, UTILITY VEHICLES, SIDE BY SIDE VEHICLES

STRYKER®

The Stryker tire features a unique offset chevron pattern that is self-cleaning with great performance in all terrains. Made in the USA.

SIZE	PRODUCT CODE	STAR/PLY	DIAMETER†	WIDTH†	RIM WIDTH	MAX LOAD @ 50 MPH	MAX PSI	TIRE WEIGHT	TREAD DEPTH (32nds)
22x9.00-10 NHS	516091	4 PR	22.8	9.4	6.00	675	20	19.9	20
AT22X11.00-8	531073	2*	22.8	11.1	9.00	340	5	21.2	19
AT22X11.00-9	531065	2*	22.5	11.3	10.00	340	5	20.7	19
AT22X11.00-10	531095	2*	22.9	10.1	8.00	330	5	19.2	19
AT25X12.00-9	531075	2*	25.2	12.2	10.00	430	5	26.8	19

NHS tires are Non-Highway Service Tires. "AT" tires are designed for ATV applications. "NHS" tires are designed for Utility Vehicle applications.

† Indicates mounted diameter and mounted width

*NOTE: "AT" tires are STAR Rated. "NHS" tires are Ply Rated. (PR).



TERRATHON®

The Terrathon tire offers a versatile all terrain, non-directional tread pattern that executes outstanding performance on soft to hard surfaces. Made in the USA.

SIZE	PRODUCT CODE	STAR/PLY	DIAMETER†	WIDTH†	RIM WIDTH	MAX LOAD @ 50 MPH	MAX PSI	TIRE WEIGHT	TREAD DEPTH (32nds)
AT26X8.00-14	560487	3*	26.0	7.7	6.00	355	7	18.1	15
26x8.00-14 NHS	6P0034	4 PR	26.6	8.2	6.50	825	22	29.0	16
AT26X10.00-14	560488	3*	26.3	9.5	8.00	430	7	21.6	15

NHS tires are Non-Highway Service Tires. "AT" tires are designed for ATV applications. "NHS" tires are designed for Utility Vehicle applications.

† Indicates mounted diameter and mounted width

*NOTE: "AT" tires are STAR Rated. "NHS" tires are Ply Rated. (PR).



UTILITY VEHICLES, SIDE BY SIDE VEHICLES

BADLANDS A/R

Badlands A/R is a rugged ATV tire featuring a 3 ply radial construction with a V-shaped tread pattern. This provides a smooth ride while still offering traction and predictable handling. Made in the USA.

SIZE	PRODUCT CODE	STAR/PLY	DIAMETER†	WIDTH†	RIM WIDTH	MAX LOAD @ 50 MPH	MAX PSI	TIRE WEIGHT	TREAD DEPTH (32nds)
26X8.00R12 NHS	530009	4 PR	25.6	7.5	6.50	550	10	16.6	15
26X10.00R12 NHS	530008	4 PR	26.6	9.2	8.00	640	10	19.3	15

NHS tires are Non-Highway Service Tires. "AT" tires are designed for ATV applications. "NHS" tires are designed for Utility Vehicle applications.

† Indicates mounted diameter and mounted width



BADLANDS XTR

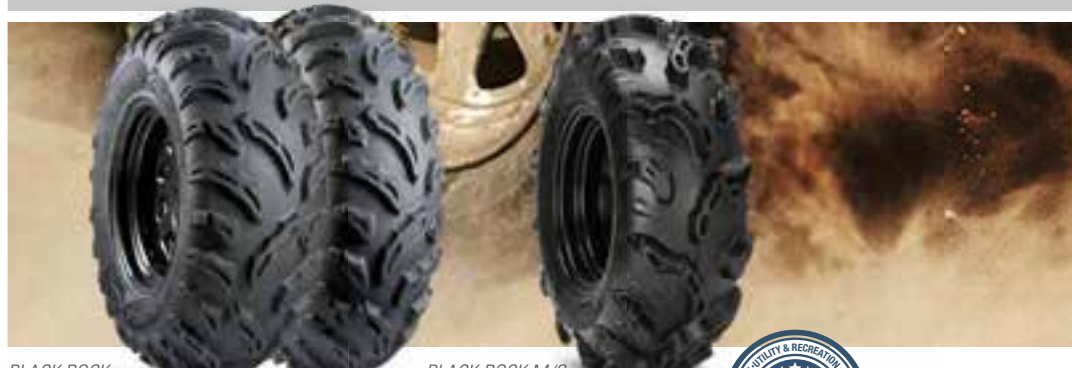
The Badlands XTR is a 6 ply radial tire that absorbs trail hazards with its rugged design. It provides the ultimate smooth ride, traction and predictable handling with its unique X-shaped shoulder lugs to increase grip through corners. Made in the USA.

SIZE	PRODUCT CODE	STAR/PLY	DIAMETER†	WIDTH†	RIM WIDTH	MAX LOAD @ 50 MPH	MAX PSI	TIRE WEIGHT	TREAD DEPTH (32nds)
AT255/65R12	537067	3*	25.2	9.3	8.00	420	7	18.3	16
AT205/80R12	537068	3*	25.1	7.5	6.50	340	7	15.5	16
AT270/60R12	537069	3*	25.3	10.4	8.00	455	7	22.6	16

NHS tires are Non-Highway Service Tires. "AT" tires are designed for ATV applications. "NHS" tires are designed for Utility Vehicle applications.

† Indicates mounted diameter and mounted width

*NOTE: "AT" tires are Star Rated. "NHS" tires are Ply Rated (PR).



BLACK ROCK

BLACK ROCK M/S



BLACK ROCK®

Designed to balance ride quality with an aggressive 3/4 inch tread depth, the Black Rock tire is built to handle any trail conditions while also providing a smooth ride. Made in the USA.

SIZE	PRODUCT CODE	STAR/PLY	DIAMETER†	WIDTH†	RIM WIDTH	MAX LOAD @ 50 MPH	MAX PSI	TIRE WEIGHT	TREAD DEPTH (32nds)
AT24x9.00-11	560530	3†	24.0	8.7	7.00	365	7	18.3	23
AT24x9.00-12	560534	3*	24.0	8.5	7.00	365	7	15.5	23
AT25x8.00-12	560538	3*	25.3	8.0	6.50	340	7	22.6	23
AT25x10.00-12	560540	3*	25.3	9.6	8.00	420	7	22.2	24
AT26x9.00-12	560539	3*	26.4	9.0	7.00	410	7	19.8	23
AT26x11.00-12	560541	3*	26.2	10.4	9.00	480	7	23.6	24
27x9.00-14 NHS	560577	6 PR	27.4	8.3	6.00	910	20	25.7	24
27x11.00-14 NHS	560578	6 PR	27.8	10.5	9.00	1170	22	29.3	24

NHS tires are Non-Highway Service Tires. "AT" tires are designed for ATV applications. "NHS" tires are designed for Utility Vehicle applications.

† Indicates mounted diameter and mounted width

*NOTE: "AT" tires are Star Rated. "NHS" tires are Ply Rated (PR).



BLACK ROCK® M/S

Equipped with a unique tread design for increased traction and control, the Black Rock M/S tire dominates in the mud and snow. With its formulated "mud spikes" and V-shaped dimples, the Black Rock M/S tire maintains an incredibly smooth ride while dominating in loose, soft and muddy terrain.

SIZE	PRODUCT CODE	STAR/PLY	DIAMETER†	WIDTH†	RIM WIDTH	MAX LOAD @ 50 MPH	MAX PSI	TIRE WEIGHT	TREAD DEPTH (32nds)
25x8.00-12NHS	6P0224	6 PR	24.8	7.8	6.50	1020	34	23.3	39
25x10.00-12 NHS	6P0225	6 PR	25.0	9.5	8.00	1185	32	26.6	39
26x9.00-12 NHS	6P0242	6 PR	26.0	8.6	7.00	1170	32	27.9	39
26x11.00-12 NHS	6P0243	6 PR	26.7	10.7	9.00	1430	34	32.2	39
27x9.00-12 NHS	6P0244	6 PR	26.6	8.8	7.00	1230	32	30.0	39
27x11.00-12 NHS	6P0245	6 PR	27.5	10.8	9.00	1520	34	34.0	39
28x9.00-14 NHS	6P0246	6 PR	28.1	8.5	7.00	1280	32	31.0	39
28x11.00-14 NHS	6P0247	6 PR	28.7	10.9	9.00	1570	34	34.0	39

NHS tires are Non-Highway Service Tires. "AT" tires are designed for ATV applications. "NHS" tires are designed for Utility Vehicle applications.

† Indicates mounted diameter and mounted width



VERSA TRAIL

VERSA TRAIL XTR TURF TAMER

**ATVs, UTILITY VEHICLES, SIDE BY SIDE VEHICLES****VERSA TRAIL®**

The Versa Trail tire is an all-purpose, radial tire that increases terrain versatility and optimizes traction without compromising comfort and handling. Its "Tough-Tread" rubber compound and durable 6-ply rated construction protects against cuts, chips and tread wear to ensure unequalled puncture resistance.

SIZE	PRODUCT CODE	STAR/PLY	DIAMETER†	WIDTH†	RIM WIDTH	MAX LOAD @ 50 MPH	MAX PSI	TIRE WEIGHT	TREAD DEPTH (32nds)
25X8.00R12 NHS	6P0270	6 PR	24.9	8.2	6.50	1020	34	22.7	23
25X10.00R12 NHS	6P0271	6 PR	25.2	9.9	8.00	1200	32	25.9	23
26X9.00R12 NHS	6P0272	6 PR	26.4	9.1	7.00	1170	32	25.3	23
26X11R.00R12 NHS	6P0273	6 PR	26.7	10.8	9.00	1430	34	29.2	23
27X9.00R12 NHS	6P0268	6 PR	27.0	9.1	7.00	1230	32	25.8	23
27X11.00R12 NHS	6P0269	6 PR	27.5	11.0	9.00	1520	34	30.6	23
27X9.00R14 NHS	6P0274	6 PR	27.0	9.0	7.00	1200	32	26.6	23
27X11.00R14 NHS	6P0275	6 PR	27.5	11.1	8.00	1480	34	31.0	23
28X10.00R14 NHS	6P0276	6 PR	28.4	10.1	8.00	1390	32	30.2	23
28X12.00R14 NHS	6P0277	6 PR	29.0	11.2	8.00	1650	32	34.0	23
29X10.00R15 NHS	6P0324	6 PR	29.7	9.6	7.00	1430	32	32.4	23

NHS tires are Non-Highway Service Tires. "AT" tires are designed for ATV applications. "NHS" tires are designed for Utility Vehicle applications.
† Indicates mounted diameter and mounted width

VERSA TRAIL® XTR

Expanding on the Versa Trail ATR tire, the Versa Trail XTR tire features more extreme performance and handling on multiple surfaces. With its reinforced belts for unequalled puncture resistance and integrated lug channels for increased traction, the Versa Trail XTR has a larger and more robust product offering for upgraded side-by-sides.



SIZE	PRODUCT CODE	STAR/PLY	DIAMETER†	WIDTH†	RIM WIDTH	MAX LOAD @ 50 MPH	MAX PSI	TIRE WEIGHT	TREAD DEPTH (32nds)
30x10.00R14 NHS	6P0871	8	30.5	9.81	7	1570	32	39.2	24
32x10.00R14 NHS	6P0872	8	32.6	10.3	7	1820	32	42.5	24

NHS tires are Non-Highway Service Tires. "AT" tires are designed for ATV applications. "NHS" tires are designed for Utility Vehicle applications.

TURF TAMER

With its lightweight construction, stiff sidewalls and hollowed-out lugs, the Turf Tamer tire provides excellent handling in hard-packed conditions. Formulated for performance, the Turf Tamer tire's wide profile ensures stability around tight corners and traction for a variety of terrains. Made in the USA.



SIZE	PRODUCT CODE	STAR/PLY	DIAMETER†	WIDTH†	RIM WIDTH	MAX LOAD @ 50 MPH	MAX PSI	TIRE WEIGHT	TREAD DEPTH (32nds)
AT22.5X10.00-8	55U3B9	3*	22.3	9.6	8.00	365	7	12.9	16
22.5X10.00-8 NHS	55U3C7	4 PR	23.0	9.2	8.00	825	22	13.2	16
AT25X12.00-9	55U373	3*	25.1	11.0	10.00	495	7	16.7	16

NHS tires are Non-Highway Service Tires. "AT" tires are designed for ATV applications. "NHS" tires are designed for Utility Vehicle applications. † Indicates mounted diameter and mounted width
*NOTE: "AT" tires are STAR Rated. "NHS" tires are Ply Rated. (PR).



TRAIL WOLF SPORT REAR TRAIL WOLF SPORT FRONT ALL TRAIL ALL TRAIL II



ATVS, UTILITY VEHICLES, SIDE BY SIDE VEHICLES

TRAIL WOLF® SPORT

Designed with a sport-specific tread pattern, the Trail Wolf Sport tire is perfect for any cross-country or recreational rider. Its wrap-around tread and enhanced sidewalls provide increased traction and handling during higher speeds and around tight corners.

SIZE	PRODUCT CODE	STAR/PLY	DIAMETER†	WIDTH†	RIM WIDTH	MAX LOAD @ 50 MPH	MAX PSI	TIRE WEIGHT	TREAD DEPTH (32nds)
AT20x10.00-9	560496**	3*	19.9	9.9	8.00	300	7	13.6	16
AT22x11.00-9	560498**	3*	21.6	11.4	9.00	395	7	16.7	16
AT21x7.00-10	560510***	3*	20.6	6.4	5.50	235	7	11.2	16
AT22x7.00-10	560511***	3*	21.4	6.5	5.50	255	7	11.9	16

NHS tires are Non-Highway Service Tires. "AT" tires are designed for ATV applications. "NHS" tires are designed for Utility Vehicle applications.
 † Indicates mounted diameter and mounted width *NOTE: "AT" tires are STAR Rated. "NHS" tires are Ply Rated. (PR).
 Indicates rear wheel *Indicates front wheel



ALL TRAIL® / ALL TRAIL® II

The All Trail and All Trail II tire lines are specifically designed for use on hard surface conditions. The low, wide profile reduces soft wallowing chassis roll commonly experienced with other tires while its uniquely tight tread pattern offers a smooth ride experience. The specially formulated compound delivers durable extended tire life with responsive, predictable and level handling on pavement, concrete and hard-packed soil. Made in the USA.

SIZE	PRODUCT CODE	STAR/PLY	DIAMETER†	WIDTH†	RIM WIDTH	MAX LOAD @ 50 MPH	MAX PSI	TIRE WEIGHT	TREAD DEPTH (32nds)
20X10.00-8 NHS	510043	4 PR	19.8	9.4	8.00	715	22	13.6	14
22X10.00-8 NHS	510044	4 PR	22.0	10.2	7.00	825	22	15.1	14
20X10.00-10 NHS	510045	4 PR	20.3	8.2	6.00	695	22	13.9	14
22X9.50-10 NHS	55A3N1	4 PR	22.0	9.6	8.00	715	20	15.0	14
22X11.00-10 NHS **	510016	4 PR	21.9	10.1	8.00	880	22	19.3	16
23X11.00-10NHS	6P0058	6 PR	23.5	10.9	9.00	1230	34	19.9	16
24X9.50-10NHS	55A3P2	4 PR	24.0	9.5	7.50	870	22	16.7	14
24X10.50-10 NHS	55A3N9	4 PR	24.3	10.8	8.00	900	20	19.3	14
23X8.00-12 NHS **	511506	4 PR	23.7	8.4	6.50	675	22	19.9	19
23X10.50-12 NHS **	511505	4 PR	23.1	10.1	8.50	835	20	22.0	19
25X8.00-12 NHS **	511507	4 PR	24.8	8.4	7.00	785	22	18.6	19
25X9.00-12 NHS	560443	4 PR	25.2	8.6	7.00	825	20	18.6	16
25X9.00-12 NHS	560587	6 PR	25.4	8.5	6.00	1360	32	19.7	16
25X10-12 NHS **	6P0334	4 PR	24.9	10.5	8.00	965	22	24.2	19
25X10.50-12 NHS **	511508	4 PR	24.8	10.1	7.00	945	20	24.1	19
25X11.00-12 NHS	560444	4 PR	25.5	10.8	9.00	1050	22	20.4	16
25X11.00-12 NHS	6P0333	6 PR	25.5	11.2	9.00	1360	34	23.2	16
27X9.00-14 NHS **	6P0671	4 PR	27.8	8.9	7.00	910	20	23.6	15
27X11.00-14 NHS **	6P0672	4 PR	28.1	10.7	9.00	1170	22	29.5	15

NHS tires are Non-Highway Service Tires. "AT" tires are designed for ATV applications. "NHS" tires are designed for Utility Vehicle applications.
 † Indicates mounted diameter and mounted width ** NOTE: Sizes shown above with asterisks (**) are the All Trail tread pattern. Other sizes listed are the All Trail II tread pattern.



HD FIELD TRAX

KNOBBY

**ATVs, UTILITY VEHICLES, SIDE BY SIDE VEHICLES****HD FIELD TRAX**

The HD Field Trax tire features a wide profile providing stability on hard-packed surfaces. With its non-directional tread pattern and long-lasting construction, the HD Field Trax tire delivers a smooth and comfortable ride while resisting cut, chips and abrasions.

SIZE	PRODUCT CODE	STAR/PLY	DIAMETER†	WIDTH†	RIM WIDTH	MAX LOAD @ 50 MPH	MAX PSI	TIRE WEIGHT	TREAD DEPTH (32nds)
18X8.50-10 NHS	5883U1	4 PR	18.0	7.8	7.00	495	22	10.9	12
AT22X12.00-8	588389	3*	21.5	11.3	9.50	430	7	20.4	20
AT22.5X10.00-8	5883B9	3*	22.7	10.0	8.00	365	7	20.5	20
24X12.00-12 NHS	560366	2 PR	23.3	11.2	9.50	675	10	24.4	20
AT25X13.00-9	588394	3*	24.8	12.4	10.00	535	7	27.3	20
26X12.00-12 NHS	560467	2 PR	25.4	12.2	9.50	760	10	25.2	20

NHS tires are Non-Highway Service Tires. "AT" tires are designed for ATV applications. "NHS" tires are designed for Utility Vehicle applications.

† Indicates mounted diameter and mounted width

*NOTE: "AT" tires are Star Rated. "NHS" tires are Ply Rated (PR).

**KNOBBY**

The Knobby tire offers a unique design available in solid or dimple tread pattern. The Knobby tire delivers maximum performance on a variety of terrains and is ideal for ATVs and golf cars.

SIZE	PRODUCT CODE	STAR/PLY	DIAMETER†	WIDTH†	RIM WIDTH	MAX LOAD @ 50 MPH	MAX PSI	TIRE WEIGHT	TREAD DEPTH (32nds)
AT145/70-6	5150021	1*	14.3	5.3	4.50	99	4	4.9	6
AT16X8.00-7	5150031	3*	16.5	6.6	5.00	180	7	7.1	12
18X9.50-8 NHS	537005	2 PR	18.3	8.8	7.00	365	10	10.4	12
AT22X11.00-8 Solid**	537050	3*	22.3	10.5	9.00	395	7	13.7	15
AT25X12.00-9 Solid**	537081	2*	24.6	11.8	10.00	430	5	17.8	15

NHS tires are Non-Highway Service Tires. "AT" tires are designed for ATV applications. "NHS" tires are designed for Utility Vehicle applications.

† Indicates mounted diameter and mounted width

*NOTE: "AT" tires are Star Rated. "NHS" tires are Ply Rated (PR).

**NOTE: The AT22x11-8 and AT25x12-9 sizes have a solid Knobby tread, and not the dimpled Knobby tread pattern shown above.

Trailer

ALL PURPOSE



RADIAL TRAIL® HD 34



ULTRA SPORT RH 34



SPORT TRAIL® 35



SPORT TRAIL® LH 36



USA TRAIL® 37



CSL 16 ALL STEEL 37







RADIAL TRAIL HD

ULTRA SPORT RH

BOAT, CARGO, HORSE AND LIVESTOCK, RV, TOWABLE UTILITY, AND SPECIALTY TRAILERS

RADIAL TRAIL® HD

The Radial Trail HD tire is designed with a unique tread pattern that wears evenly over time. As the superior trailer tire in the industry, the Radial Trail HD tire is constructed with heat resistant technology and compliant with DOT standards.

SIZE	PRODUCT CODE	LOAD RANGE	DIAMETER [†]	WIDTH [†]	RIM WIDTH	MAX CAPACITY	TIRE PSI*	TREAD DEPTH (32nds)	SPEED RATING
ST145/12**	5151311	LRD	21.4	5.9	4.00	1220	65	9	81
ST145/12**	5151321	LRE	21.4	6.0	4.00	1520	80	9	81
ST175/80R13	6H04511	LRC	24.1	7.0	5.00	1360	50	8	81
ST175/80R13	6H04521	LRD	24.1	7.0	5.00	1570	65	8	81
ST185/80R13	6H04531	LRC	24.7	7.2	5.00	1480	50	8	81
ST185/80R13	6H04541	LRD	24.7	7.2	5.00	1710	65	8	81
ST205/75R14	6H04551	LRC	26.1	7.8	5.50	1760	50	9	81
ST205/75R14	6H04561	LRD	26.1	7.8	5.50	2040	65	9	81
ST215/75R14	6H04571	LRC	26.7	8.3	6.00	1870	50	9	81
ST205/75R15	6H04581	LRC	27.1	7.8	5.50	1820	50	9	81
ST205/75R15	6H04591	LRD	27.1	7.8	5.50	2150	65	9	81
ST225/75R15	6H04601	LRC	28.3	8.6	6.00	2150	50	9	81
ST225/75R15	6H04611	LRD	28.3	8.6	6.00	2540	65	9	81
ST225/75R15	6H04621	LRE	28.1	8.8	6.00	2830	80	9	81
ST235/80R16	6H04631	LRE	30.8	9.0	6.00	3520-S/3080 -D	80	10	75
ST235/85R16	6H04641	LRE	31.7	9.3	6.00	3640-S/3200-D	80	12	75
ST235/85R16	6H04651	LRF	31.7	9.3	6.00	3960-S/3520-D	95	12	75

[†] Indicates mounted diameter and mounted width

*NOTE: Tire PSI shown is the Recommended PSI

**NOTE: Sizes with asterisks have the Radial Trail tread pattern. Made in the USA.

ULTRA SPORT RH

The Ultra Sport RH tire offers a low profile design with a high performance look. Its tire profile and tread formulation creates a lower rolling resistance ensuring stability on the road. Compliant with DOT standards.

SIZE	PRODUCT CODE	LOAD RANGE	DIAMETER [†]	WIDTH [†]	RIM WIDTH	MAX CAPACITY	TIRE PSI*	TREAD DEPTH (32nds)	SPEED RATING
ST235/60R15	6H00901	LRD	26.2	9.2	7.00	2200	65	10	65
ST235/60R14	6H00891	LRC	25.2	9.5	7.00	1820	50	16	65

*NOTE: Tire PSI shown is the Recommended PSI



BOAT, CARGO, HORSE AND LIVESTOCK, RV, TOWABLE UTILITY, AND SPECIALTY TRAILERS

SPORT TRAIL®

Sport Trail tire features a radial look with bias construction. The tread profile and formulation creates lower rolling resistance. Often used for towable utility and boat trailers, the Sport Trail tire is long-lasting for a safe travel.

SIZE	PRODUCT CODE	LOAD RANGE	DIAMETER†	WIDTH†	RIM WIDTH	MAX CAPACITY	TIRE PSI*	TREAD DEPTH (32nds)	SPEED RATING
4.80-8	5193171	LRB	16.3	4.7	3.80	585	60	8	62
4.80-8	5193181	LRC	16.3	4.9	3.80	760	90	8	62
5.70-8	5193191	LRB	18.1	5.9	3.80	715	50	10	62
5.70-8	5193201	LRC	18.4	6.0	3.80	910	75	10	62
16.5x6.5-8	5193421	LRB	16.6	6.8	5.40	615	45	7	62
16.5x6.5-8	5193461	LRC	16.5	6.8	5.40	785	70	7	62
16.5x6.5-8	5193481	LRD	16.6	6.8	5.40	910	90	7	62
18.5x8.5-8	5193431	LRB	18.0	8.6	7.00	760	35	10	62
18.5x8.5-8	5193451	LRC	17.9	8.6	7.00	935	50	10	62
20.5x8.0-10	5193441	LRB	20.9	8.0	6.00	910	35	10	62
20.5x8.0-10	5193471	LRC	20.9	8.0	6.00	1100	50	10	62
20.5x8.0-10	5193491	LRD	20.7	8.3	6.00	1320	70	10	62
20.5x8.0-10	5193501	LRE	20.6	8.2	6.00	1520	90	10	62
20.5x8.0-10	5193511	LRF	20.8	8.4	6.00	1650	105	10	62

† Indicates mounted diameter and mounted width

*NOTE: Tire PSI shown is the Recommended PSI


BOAT, CARGO, HORSE AND LIVESTOCK, RV, TOWABLE UTILITY, AND SPECIALTY TRAILERS
SPORT TRAIL® LH

Sport Trail LH tire brings an optimized tread pattern for larger bias trailer tires (>12" rim diameter). The tread and contour were designed to increase endurance, reduce heat build-up and maintain even wear for extended tread life.

SIZE	PRODUCT CODE	LOAD RANGE	DIAMETER†	WIDTH†	RIM WIDTH	MAX CAPACITY	TIRE PSI*	TREAD DEPTH (32nds)	SPEED RATING
4.80-12	6H01291	LRB	20.6	5.0	4.00	785	60	6	87
4.80-12	6H01301	LRC	20.6	5.0	4.00	990	90	8	87
5.30-12	6H01391	LRB	21.6	5.3	4.00	855	55	6	87
5.30-12	6H01381	LRC	21.6	5.3	4.00	1050	90	6	87
ST175/80D13	6H01581	LRB	24.0	6.9	4.50	1100	35	8	87
ST175/80D13	6H01361	LRC	24.0	6.9	4.50	1360	50	8	87
ST185/80D13	6H01371	LRC	24.4	7.1	4.50	1480	50	8	87
ST185/80D13	6H02231	LRD	24.4	7.1	4.50	1710	65	8	87
ST205/75D14	6H01351	LRC	25.8	7.9	5.50	1760	50	8	87
ST215/75D14	6H01421	LRC	26.7	8.4	6.00	1870	50	8	87
ST205/85D14.5	6H01451	LRF	27.8	8.0	6.00	2830-S/2470-D	95	9	87
ST205/75D15	6H01231	LRC	27.1	8.0	5.50	1820	50	8	87
ST205/90D15	6H01441	LRD	29.4	8.0	5.50	2600-S/2270-D	65	12	87
ST225/75D15	6H01401	LRC	28.3	8.6	6.00	2150	50	9	87
ST225/75D15	6H01411	LRD	28.3	8.6	6.00	2540	65	9	87
ST225/90D16	6H01431	LRE	31.8	8.7	6.00	3520-S/3080-D	80	12	87

† Indicates mounted diameter and mounted width *NOTE: Tire PSI shown is the Recommended PSI

USA TRAIL®

The USA Trail tire is built for long-lasting wear with its bias-ply construction. With rugged grooves to channel water in wet conditions, the USA Trail tire is compliant with DOT standards and made in the USA.

SIZE	PRODUCT CODE	LOAD RANGE	DIAMETER†	WIDTH†	RIM WIDTH	MAX CAPACITY	TIRE PSI*	TREAD DEPTH (32nds)	SPEED RATING
5.70-8***	519886	LRB	18.57	5.82	3.75	715	50	11	62
4.80-8	519056	LRB	17.1	5.1	3.80	585	60	6	62
4.80-8	519058	LRC	17.4	5.1	3.80	760	90	6	62
5.70-8	519086	LRB	19.2	6.0	3.80	715	50	10	62
5.70-8	519087	LRC	18.8	6.0	3.80	910	75	10	62
5.70-8	519088	LRD	18.9	6.1	3.80	1070	100	10	62
16.5x6.50-8 E4	519297	LRC	16.2	6.6	5.40	785	70	7	62
16.5x6.50-8 E4	519298	LRD	16.3	6.7	5.40	910	90	7	62
18.5x8.50-8	519471	LRB	18.0	8.4	7.00	760	35	10	62

† Indicates mounted diameter and mounted width *NOTE: Tire PSI shown is the Recommended PSI



USA TRAIL

CSL 16

BOAT, CARGO, HORSE AND LIVESTOCK, RV, TOWABLE UTILITY, AND SPECIALTY TRAILERS

USA TRAIL® (continued)

SIZE	PRODUCT CODE	LOAD RANGE	DIAMETER†	WIDTH†	RIM WIDTH	MAX CAPACITY	TIRE PSI*	TREAD DEPTH (32nds)	SPEED RATING
18.5x8.50-8	519472	LRC	17.7	8.5	7.00	935	50	10	62
6.90-9	519572	LRC	22.0	7.1	4.50	1100	60	10	62
20.5x8.00-10	519141	LRB	21.0	8.4	6.00	910	35	10	62
20.5x8.00-10	519142	LRC	20.7	8.5	6.00	1100	50	10	62
20.5x8.00-10	519143	LRD	20.5	8.6	6.00	1320	70	10	62
20.5x8.00-10	519144	LRE	20.9	8.7	6.00	1520	90	10	62
4.80-12	519062	LRB	21.0	5.0	4.00	785	60	8	62
4.80-12	519063	LRC	21.3	5.1	4.00	990	90	8	62
5.30-12	519076	LRB	21.8	5.3	4.00	855	55	8	62
5.30-12	519077	LRC	22.1	5.3	4.00	1050	80	8	87
ST175/80D13	519161	LRC	25.0	6.7	4.50	1360	50	10	65
ST195/75D14**	519307	LRD	24.6	7.2	5.50	1870	65	10	62
ST195/75D14**	519306	LRC	24.9	7.2	5.50	1610	50	10	62
ST205/75D14	519300	LRC	26.0	8.3	5.50	1760	50	10	65
ST215/75D14	519315	LRC	26.4	8.4	6.00	1870	50	10	65
ST205/75D15	519400	LRC	27.1	8.0	5.50	1820	50	10	65
ST225/75D15	519410	LRC	28.1	8.9	6.00	2150	50	10	65
ST225/75D15	519412	LRD	28.6	9.0	6.00	2540	65	10	65

† Indicates mounted diameter and mounted width

*NOTE: Tire PSI shown is the Recommended PSI

**NOTE: Sizes with asterisks have the Sure Trail tread pattern. Made in the USA.

***Note: Sizes with asterisks have the Extra Grip tread pattern.

CSL 16 ALL STEEL

The CSL 16 tire offers heavy duty hauling capabilities for large equipment and extremely heavy loads. Its all-steel body is essential for a load rating of up to 4,400 pounds of towing capacity. Its robust construction combined with an industrial highway tread design leads to extended service life on the highway and protects against environmental elements.

SIZE	PRODUCT CODE	LOAD RANGE	DIAMETER†	WIDTH†	RIM WIDTH	MAX CAPACITY	TIRE PSI*	TREAD DEPTH (32nds)	SPEED RATING
ST235/80R16	6H08101	G	30.6	9.2	6.50	4080/3640	110	12	M
ST235/85R16	6H08111	G	31.7	9.3	6.50	4400/3850	110	11.6	M

Agriculture and Construction

FRONT TRACTOR STEERING



FARM SPECIALIST® F-2 40



FARM SPECIALIST® F-2M 40



FARM SPECIALIST® F-3 41

IMPLEMENT



FARM SPECIALIST® F-I 41



FARM SPECIALIST® HF-1 42



FARM SPECIALIST® I-1 42



TRAC CHIEF® I-3 43

COMAPCT UTILITY TRACTOR



FARM SPECIALIST® R-1 44



FARM SPECIALIST® R-1-HA 44



TURF PRO R-3
TURF PRO PLUS R-3 45



MULTI TRAC CS R-3 45



XTRA GRIP® R-4 45



WT300® 46



SPECIAL APPLICATIONS



USA LOADER® 46



ULTRA GUARD LVT® 46

SKID STEER



TRAC CHIEF®
TRAC CHIEF® XT 47



GUARD DOG® HD 48



ULTRA GUARD® 48



ULTRA GUARD® MX 48

LARGE DIAMETER



FSTR 49



CSL24 51



CSL32 53



CSL45 53



CSL48 53



CSL66 53



FARM SPECIALIST F-2

FARM SPECIALIST F-2M

FRONT TRACTOR, WAGONS, BALERS, SPREADERS, SEEDERS, AND FEED YARD MIXERS
FARM SPECIALIST® F-2 TRIPLE RIB

The Farm Specialist F-2 tire is a proven tire for front steering 2-wheel drive tractor applications. Its 3 rib design is optimal for steering response in loose and cultivated soils and has added stability with its wide center and shoulder ribs. Made in the USA.

SIZE	PRODUCT CODE	PLY RATING	DIAMETER†	WIDTH†	RIM WIDTH	ROLLING CIRC.	MAX CAPACITY @ 30 MPH	MAX PSI	TIRE WEIGHT
4.00 - 15SL (TT)	52F230	4	24.3	4.4	3.00	72.3	585	52	9.2
5.00 - 15SL (TT)	52F235	4	26.0	5.1	3.00	77.4	715	44	14.3
7.5L - 15SL (TT)	52F290	6	29.1	8.0	6.00	87.1	1430	44	27.4
9.5L - 15SL (TT)	52F244	8	31.5	9.9	7.00	94.0	1870	48	40.5
9.5L - 15SL (TL)	52F344	8	31.5	9.9	7.00	94.0	1870	48	44.3
11L - 15SL (TL)	52F318	8	32.0	11.0	8.00	96.1	2090	44	53.5
5.50 - 16SL (TT)	52F239	6	28.0	5.9	4.00	83.5	1050	56	17.8
6.00 - 16SL (TT)	52F275	6	29.1	6.2	4.00	86.8	1140	52	19.8
6.50 - 16SL (TT)	52F281	6	29.8	7.3	4.50	88.9	1230	48	22.6
7.50 - 16SL (TT)	52F283	6	31.8	7.9	5.50	94.0	1480	44	28.7
11.00 - 16SL (TT)	52F295	8	37.9	13.1	10.00	111.4	2600	40	76.7
10.00 - 16SL (TT)	52F298	8	34.9	11.0	8.00	103.4	2340	44	48.0
6.00 - 16SL (TL)	52F375	6	29.1	6.2	4.00	86.8	1140	52	23.1
7.50 - 16 SL (TL)	52F383	6	31.8	7.9	5.50	94.0	1480	44	34.1
7.50 - 16SL (TL)	52F384	8	31.8	7.9	5.50	94.0	1710	56	33.0
11.00 - 16SL (TL)	52F395	8	37.9	13.1	10.00	111.4	2340	40	76.7
10.00 - 16SL (TL)	52F398	8	34.9	11.0	8.00	103.4	2340	44	52.5
4.00 - 19SL (TT)	52F233	4	28.2	4.4	3.00	85.2	715	52	12.0
16.5L-16.1 (TL)	561854	10	40.5	16.6	14.00	120.2	5200	36	83.0

(TT) indicates a tube-type tire. (TL) indicates a tubeless tires. These tires are not for highway use.

NHS tires are Non-Highway Service tires.

† Indicates mounted diameter and mounted width

FARM SPECIALIST® F-2M QUAD RIB

Developed for larger horsepower tractors, the Farm Specialist F-2M is a quad ribbed powerhouse that is self-cleaning and designed for channeling water in wet conditions. Made in the USA.

SIZE	PRODUCT CODE	PLY RATING	DIAMETER†	WIDTH†	RIM WIDTH	ROLLING CIRC.	MAX CAPACITY @ 30 MPH	MAX PSI	TIRE WEIGHT
11L - 15SL (TT)	53F218	8	32.0	10.5	8.00	96.1	2090	44	43.2
10.00 - 16SL (TT)	53F298	8	35.0	10.8	8.00	105.1	2340	44	49.7
11.00-16SL (TL)	53F395	8	37.2	13.1	10.00	111.4	2600	40	77.1
10.00-16SL F-2M (TL)	53F398	8	35.0	10.8	8.00	105.1	2340	44	65.2

(TT) indicates a tube-type tire. (TL) indicates a tubeless tires. These tires are not for highway use.

† Indicates mounted diameter and mounted width



FRONT TRACTOR, WAGONS, BALERS, SPREADERS, SEEDERS, AND FEED YARD MIXERS

FARM SPECIALIST® F-3 INDUSTRIAL FRONT

Primarily used on front tractor steering applications, the Farm Specialist F-3 tire offers a rugged and heavier tread construction for resistance to chipping, cracking and rib tearing. Its tightly grooved zig-zag tread is designed for turf protection and engineered to channel water in wet terrain. Made in the USA.

SIZE	PRODUCT CODE	PLY RATING	DIAMETER†	WIDTH†	RIM WIDTH	ROLLING CIRC.	MAX CAPACITY @ 25 MPH	MAX PSI	TIRE WEIGHT
11L - 15SL (TL)	6A0805	12	31.3	10.9	8.00	95.7	2680	64	54.0
11L - 16SL (TL)	565315	10	33.0	11.0	8.00	97.9	2470	52	55.2
11L - 16SL (TL)	565317	12	33.0	11.0	8.00	97.9	2760	64	54.3
11L - 15FI (TL) **	6A0820	F	31.9	11.2	8.00	97.5	3960	90	57.0

These tires are not for highway use. † Indicates mounted diameter and mounted width **Highway F-3 Implement



FARM SPECIALIST® F-1 HIGHWAY SERVICE IMPLEMENT

Used for highway service implement applications, the Farm Specialist F-1 tire is specially designed for towed vehicle applications at intermittent highway speeds. DOT approved for highway use. Made in the USA.

SIZE	PRODUCT CODE	PLY RATING	DIAMETER†	WIDTH†	RIM WIDTH	ROLLING CIRC.	MAX CAPACITY @ 60 MPH	MAX PSI	TIRE WEIGHT
9.5L-15 (TL)	51H359	D	30.2	9.5	7.00	89.6	2680	60	38.9
9.5L-15 (TL)	51H360	E	30.2	9.5	7.00	89.6	3080	75	43.4
10.00-15 (TL)	51H361	D	33.5	11.0	8.00	100.0	3960	60	52.3
11L-15 (TL)	51H386	D	30.6	11.0	8.00	90.7	3080	60	47.8
11L-15 (TL)	51H392	F	30.6	11.0	8.00	90.7	3960	90	55.0
12.5L-15 (TL)	6A0561	D	32.1	12.6	10.00	95.5	3740	60	60.4
12.5L-15 (TL)	6A0562	F	32.5	12.9	10.00	99.0	4680	90	72.5
13.50 -15 (TL)	570124	D	31.8	13.6	10.00	95.9	2680	30	61.0

(TT) indicates a tube-type tire. (TL) indicates a tubeless tires. These tires are not for highway use. † Indicates mounted diameter and mounted width



FARM SPECIALIST HF-1

FARM SPECIALIST I-1

FRONT TRACTOR, WAGONS, BALERS, SPREADERS, SEEDERS, AND FEED YARD MIXERS
FARM SPECIALIST® HF-1 IMPLEMENT

The Farm Specialist HF-1 implement tire is designed for higher performance applications with heavier loads and when high flotation is needed. Made in the USA.

SIZE	PRODUCT CODE	PLY RATING	DIAMETER†	WIDTH†	RIM WIDTH	ROLLING CIRC.	MAX CAPACITY @ 30 MPH	MAX PSI	TIRE WEIGHT
25 x 7.50 -15 NHS (TL)	51F378	6	25.2	7.5	5.50	73.3	1230	45	22.2
27 x 9.50 -15 NHS (TL)	51F395	6	27.0	9.6	7.00	79.2	1610	45	29.0
31 x 13.50 -15 NHS (TL)	51F396	6	31.8	13.5	10.00	94.0	2090	30	49.1
31 x 13.50 -15 NHS (TL)	51F397	8	31.8	13.8	10.00	94.2	2620	45	59.0
31 x 13.50 -15 NHS (TL)	51F307	10	31.8	14.0	10.00	94.2	3080	60	57.9
31 x 13.50 -15 NHS (TL)	570060	12	32.1	14.5	10.00	95.4	3520	75	66.0

(TT) indicates a tube-type tire. (TL) indicates a tubeless tires. These tires are not for highway use.

† Indicates mounted diameter and mounted width

FARM SPECIALIST® I-1 IMPLEMENT

With its wide rib tread design, the Farm Specialist I-1 tire is aimed for floatation on farm implements for excellent lateral stability and rolling resistance. Made in the USA.

SIZE	PRODUCT CODE	PLY RATING	DIAMETER†	WIDTH†	RIM WIDTH	ROLLING CIRC.	MAX CAPACITY @ 30 MPH	MAX PSI	TIRE WEIGHT
4.00-9SL (TT)	518249	4	17.4	4.8	3.00	51.6	550	44	6.1
4.00-12SL (TT)	518277	4	20.4	5.0	3.00	60.5	675	44	7.1
26x12.00-12NHS (TL)	510361	4	25.5	11.7	10.50	75.7	1780	20	26.5
26x12.00-12NHS (TL)	510363	10	25.5	11.7	10.50	75.7	3110	52	28.9
26x12.00-12NHS (TL)	560474	12	25.5	11.7	10.50	75.7	3460	62	33.0
9.5L-14SL (TL)	51F399	8	29.4	9.2	7.00	87.0	2400	44	29.7
9.5L-14SL (TT)	51F299	8	29.4	9.2	7.00	87.0	2400	44	25.6
11L-14SL (TL)	51F391	8	29.6	10.6	8.00	87.7	2470	36	32.5
5.00-15SL (TT)	51F235	4	25.2	5.4	4.00	74.7	950	36	12.0
5.90-15SL (TT)	51F252	4	26.3	6.3	4.50	77.9	1140	36	13.5
6.70-15SL (TL)	51F367	4	27.7	7.1	4.50	81.5	1280	32	18.4
6.70-15SL (TL)	51F388	6	28.2	7.2	4.50	83.7	1610	44	16.9
7.60-15SL (TT)	51F237	8	28.7	7.9	5.50	84.4	2090	52	23.5
7.60-15SL (TL)	51F337	8	28.7	7.9	5.50	85.0	2090	52	27.9
9.5L-15SL (TT)	51F244	8	29.9	9.2	7.00	88.5	2470	44	26.2
9.5L-15SL (TL)	51F344	8	29.9	9.2	7.00	88.5	2470	44	27.3
9.5L-15SL (TL)	51F3D7	12	29.9	9.2	7.00	88.5	3000	64	30.1
10.00-15SL (TL)	51F385	8	33.4	11.0	8.00	98.6	3200	40	46.7
11L-15SL (TT)	51F218	8	30.6	11.0	8.00	90.6	2540	36	28.1



TRAC CHIEF I-3

FRONT TRACTOR, WAGONS, BALERS, SPREADERS, SEEDERS, AND FEED YARD MIXERS

FARM SPECIALIST® I-1 IMPLEMENT (Continued)

SIZE	PRODUCT CODE	PLY RATING	DIAMETER†	WIDTH†	RIM WIDTH	ROLLING CIRC.	MAX CAPACITY @ 30 MPH	MAX PSI	TIRE WEIGHT
11L-15SL (TL)	51F318	8	30.6	11.7	8.00	90.6	2540	36	32.7
11L-15SL (TL)	51F317	12	30.6	10.7	8.00	90.6	3200	52	41.6
12.5L-15SL (TT)	51F240	8	32.1	12.3	10.00	96.5	3000	36	43.0
12.5L-15SL (TL)	51F340	8	32.1	12.3	10.00	96.5	3000	36	43.0
12.5L-15SL (TT)	51F241	10	32.2	12.4	10.00	96.5	3420	44	43.0
12.5L-15SL (TL)	51F341	10	32.2	12.4	10.00	96.5	3420	44	43.0
12.5L-15SL (TL)	51F305	12	32.6	12.1	10.00	96.5	3860	52	59.2
12.5L-16SL (TL)	51F353	14	33.4	12.5	10.00	99.0	4180	56	53.5
14L-16.1SL (TL)	510131	8	37.0	14.4	11.00	108.5	3520	28	68.9
16.5L-16.10SL (TL)	51F350	10	40.8	17.1	14.00	117.5	5200	36	101.0
18L-16.1SL (TL)*	510130	10	32.5	17.0	14.00	95.2	4180	32	72.0
19L - 16.1SL (TL)	6A0437	12	42.4	18.8	16.00	124.0	6600	36	131.0
21.5L - 16.1SL (TL)	6A0434	10	44.3	20.1	16.00	125.3	6600	28	146.0
21.5L - 16.1SL (TL)	510136	14	44.5	21.5	18.00	132.1	7850	36	136.0
32x15.5-16.5SL (TL)**	6A0086	14	32.2	15.6	16.50	97.4	5840**	90	87.5

(TT) indicates a tube-type tire, (TL) indicates a tubeless tires. These tires are not for highway use.
 † Indicates mounted diameter and mounted width * NOTE: 18L - 16.1SL I-1 is a 7 Rib Design. ** NOTE: 32 x 15.5-16.5SL I-1 is rated at 25 mph.

TRAC CHIEF® I-3

Designed for traction on implements and backhoes, the Trac-Chief I-3 tire delivers diverse capabilities of aggressive and durable traction on soft surfaces while still providing a smooth ride. It's directional tread design and high load capacity brings stability and easy steering for front wheel tractor applications and backhoe loaders. Made in the USA.

SIZE	PRODUCT CODE	PLY RATING	DIAMETER†	WIDTH†	RIM WIDTH	ROLLING CIRC.	MAX CAPACITY @ 5 MPH	MAX PSI	TIRE WEIGHT
12.4-16 (TL)	570122	6	37.2	12.9	11.00	108.1	2340	30	79.5
10.5/80-18 (TL)*	*570120	10	35.6	10.8	9.00	105.5	3840	54	70.4
12.5/80-18 (TL)*	*570121	12	38.5	12.5	9.00	114.6	5360	55	96.0

(TT) indicates a tube-type tire, (TL) indicates a tubeless tires. These tires are not for highway use.
 † Indicates mounted diameter and mounted width *NOTE: With mud breakers between shoulders



FARM SPECIALIST R-1

FARM SPECIALIST R-1-HA

FRONT TRACTOR, WAGONS, BALERS, SPREADERS, SEEDERS, AND FEED YARD MIXERS
FARM SPECIALIST® R-1

Used primarily on compact utility tractors, the Farm Specialist R-1 tire features an overlapping center tread lug that performs in both wet and dry conditions. The all-purpose tire features a unique multi-angle long bar tread for aggressive performance, excellent traction and lateral stability. Made in the USA.

SIZE	PRODUCT CODE	PLY RATING	DIAMETER†	WIDTH†	RIM WIDTH	ROLLING CIRC.	MAX CAPACITY @ 25 MPH	MAX PSI	TIRE WEIGHT
6-12 (TL)	570030	6	23.0	6.1	5.00	68.9	735	40	18.1
7-14 (TL)	570000	6	27.1	7.4	6.00	80.5	990	36	26.9
7-16 (TL)	570001	6	29.1	8.1	6.00	86.8	1100	36	33.8
8-16 (TL)	570002	6	31.4	8.4	6.00	92.5	1360	28	40.2
9.5-16 (TL)	570003	6	33.5	10.0	8.00	98.1	1390	30	53.0
9.5-20 (TL)	6A0377	6	36.5	9.4	8.00	109.1	1650	30	69.6
9.5-20 (TL)	6A0467	8	36.5	9.4	8.00	112.7	2040	40	69.6
8.3-24 (TL)	570004	6	39.1	8.3	7.00	117.2	1610	34	65.8
9.5-24 (TL)	570005	6	41.3	9.5	8.00	123.2	1870	30	79.3
11.2-24 (TL)	570006	6	43.4	11.2	10.00	129.1	2090	26	89.2
12.4-24 (TL)	570007	4	45.6	12.4	11.00	135.1	1870	16	95.8
12.4-24 (TL)	570008	8	45.6	12.4	11.00	135.1	2830	32	114.7
13.6-24 (TL)	570009	6	47.6	13.6	12.00	140.7	2680	22	113.8
14.9-24 (TL)	6A0429	6	49.5	14.8	13.00	145.4	3000	20	137.0
14.9-24 (TL)	6A0365	8	49.6	14.4	13.00	145.7	3520	26	136.0
16.9-24 (TL)	6A0399	6	52.1	16.9	15.00	155.3	3420	18	160.0
16.9-24 (TL)	6A0398	8	52.3	16.9	15.00	156.0	4080	24	160.0

(TT) indicates a tube-type tire. (TL) indicates a tubeless tires. These tires are not for highway use.

† Indicates mounted diameter and mounted width

FARM SPECIALIST® R-1-HA

Developed with a 45 degree angled tread, the Farm Specialist R-1-HA tire is designed with a straight bar design for maximum performance in mixed terrains. The tire's narrow profile delivers easy handling on compact utility tractors and provides excellent traction with its high angled straight bar tread lugs. Made in the USA.

SIZE	PRODUCT CODE	PLY RATING	DIAMETER†	WIDTH†	RIM WIDTH	ROLLING CIRC.	MAX CAPACITY @ 25 MPH	MAX PSI	TIRE WEIGHT
9.5-24 (TL)	570034	6	41.3	9.5	8.00	123.2	1870	30	67.9
11.2-24 (TL)	570035	6	43.4	11.2	10.00	129.1	2090	26	89.2

(TT) indicates a tube-type tire. (TL) indicates a tubeless tires. These tires are not for highway use.

† Indicates mounted diameter and mounted width



TURF PRO R-3

MULTI TRAC CS R-3

XTRA GRIP R-4

FRONT TRACTOR, WAGONS, BALERS, SPREADERS, SEEDERS, AND FEED YARD MIXERS

TURF PRO R-3 / TURF PRO PLUS R-3

Designed for mowing and turf applications, the Carlisle branded R-3 series is engineered with shallow non-skid depth with isolated tread elements that create minimal ground disturbance for a turf-friendly result. Made in the USA.

SIZE	PRODUCT CODE	PLY RATING	DIAMETER†	WIDTH†	RIM WIDTH	ROLLING CIRC.	MAX CAPACITY @ 25 MPH	MAX PSI	TIRE WEIGHT
31x15.5-15 (TL)**	560589	8	30.3	14.2	13.00	90.4	2760*	45	58.5
13.6-16 (TL)	570080	4	38.2	16.0	12.00	112.8	1570	14	82.3
9.5-24 (TL)	570084	6	40.3	9.5	8.00	120.5	1870	30	59.0
11.2-24 (TL)	570085	6	42.4	11.2	10.00	126.3	2080	26	82.2

(TT) indicates a tube-type tire. (TL) indicates a tubeless tires. These tires are not for highway use. † Indicates mounted diameter and mounted width *NOTE: 31x15.5-15 Turf Pro Plus R3 has a max capacity at 30 mph. **Turf Pro Plus

MULTI TRAC CS R-3

With its squared lugs and wide base for stability, the Multi Trac CS R-3 is excellent for minimal ground disturbance for turf and mowing applications. Made in the USA.

SIZE	PRODUCT CODE	PLY RATING	DIAMETER†	WIDTH†	RIM WIDTH	ROLLING CIRC.	MAX CAPACITY @ 30 MPH	MAX PSI	TIRE WEIGHT
36x14.00-15 (TL)	6L0580	4	35.5	14.7	10.00	104.4	2600	20	59.0
33X12.50-16.5 (TL)	6L0589	4	32.5	12.5	9.75	97.3	2340	30	57.0
41x14.00-20 (TL)	570083	4	42.0	14.8	11.00	125.6	3080	26	101.2
44x18-20 (TL)	6A0376	4	44.8	18.5	14.00	132.3	3420	20	135.0
44x18-20 (TL)	6A0375	6	44.8	18.5	14.00	132.3	4300	30	135.0

(TT) indicates a tube-type tire. (TL) indicates a tubeless tires. These tires are not for highway use. † Indicates mounted diameter and mounted width

XTRA GRIP® R-4

The Xtra Grip R4 tire provides excellent traction for turf and sod applications. This all-purpose farm or industrial tractor tire is engineered with a compound to resist cutting and penetration. It also has a rugged, heavy-duty construction to withstand rigorous operating site conditions. Made in the USA.

SIZE	PRODUCT CODE	PLY RATING	DIAMETER†	WIDTH†	RIM WIDTH	ROLLING CIRC.	MAX CAPACITY @ 25 MPH	MAX PSI	TIRE WEIGHT
43 x 16.00-20 (TL)	570059	6	43.0	16.8	14.00	126.4	3720	30	116.9
16.9-24 (TL)	6A0366	6	50.5	17.3	15.00	147.9	4940	22	156.0
16.9-24 (TL)	6A0363	8	50.5	17.3	15.00	147.9	5840	28	156.0
17.5L-24 (TL)	6A0428	6	48.3	17.6	15.00	141.6	4400	20	153.0
17.5L-24 (TL)	6A0364	8	48.3	17.6	15.00	142.3	5360	26	153.0
18.4-24 (TL)	6A0666	8	54.3	18.3	16.00	162.0	6400	24	201.0
19.5L- 24 (TL)	6A0667	8	52.0	19.2	16.00	155.0	6000	24	192.5
19.5L- 24 (TL)	6A0802	12	51.2	19.3	16.00	152.7	7600	34	213.0
19.5L- 24 (TL)	6A0803	14	51.3	19.3	16.00	152.7	8250	38	213.0
21L-24 (TL)	6A0804	14	54.2	20.7	18.00	162.0	9350	36	246.0

(TT) indicates a tube-type tire. (TL) indicates a tubeless tires. These tires are not for highway use. † Indicates mounted diameter and mounted width



WT300

USA LOADER

ULTRA GUARD LVT

FRONT TRACTOR, WAGONS, BALERS, SPREADERS, SEEDERS, AND FEED YARD MIXERS
WT300®

The WT300 tire is constructed for tractors with less than 30 horsepower. Its low ground pressure ensures turf preservation while its angled tread pattern provides aggressive traction while preventing debris buildup. Made in the USA.

SIZE	PRODUCT CODE	PLY RATING	DIAMETER†	WIDTH†	RIM WIDTH	ROLLING CIRC.	MAX CAPACITY @ 10 MPH	MAX PSI	TIRE WEIGHT
18x8.50-10 NHS (TL)	570046	4	18.3	8.1	6.00	54.8	830	22	12.3
26x12.00-12 NHS (TL)	570042	4	25.7	12.4	9.50	76.2	1780	20	28.2

(TT) indicates a tube-type tire. (TL) indicates a tubeless tires. These tires are not for highway use. † Indicates mounted diameter and mounted width

GENERAL DUTY SKID STEER AND COMPACT TRACTOR APPLICATIONS
USA LOADER®

Engineered with lateral grooves and a "Boot Heel Lug" tread configuration, the USA Loader brings traction and stability on specialty applications where safety and stability are critical. Made in the USA.

SIZE	PRODUCT CODE	PLY RATING	DIAMETER†	WIDTH†	RIM WIDTH	ROLLING CIRC.	MAX CAPACITY @ 5 MPH	MAX PSI	TIRE WEIGHT	TREAD DEPTH (32nds)
10-16.50NHS (TL)	510713	10	30.9	10.6	8.25	92.6	4720	75	59.3	26
12-16.50NHS (TL)	510716	10	32.9	12.6	9.75	98.5	5600	65	76.4	27
305/70D16.5NHS (TL)	6A0170	10	32.9	12.6	9.75	98.5	5600	65	77.2	27

"NHS" tires are Non-Highway Service tires. † Indicates mounted diameter and mounted width

ULTRA GUARD LVT®

The Ultra Guard LVT tire is used on hard surface severe-service skid steers. With its low tread void for maximum net ground contact, massive footprint & extra premium chip/chunk resistant tread rubber, the Ultra Guard LVT tire is essential on surface sites such as demolition, rocks, gravel and concrete. Made in the USA.

SIZE	PRODUCT CODE	PLY RATING	DIAMETER†	WIDTH†	RIM WIDTH	ROLLING CIRC.	MAX CAPACITY @ 5 MPH	MAX PSI	TIRE WEIGHT	TREAD DEPTH (32nds)
10-16.5NHS (TL)	570075	10	31.4	10.9	8.25	92.4	4710	75	90.0	44
12-16.5NHS (TL)	570076	14	32.9	13.1	9.75	99.0	6780	90	112.0	44
14-17.5NHS (TL)	570077	14	36.3	13.8	10.50	109	8540	80	132.0	44

"NHS" tires are Non-Highway Service tires. † Indicates mounted diameter and mounted width



TRAC CHIEF

TRAC CHIEF XT

GENERAL DUTY SKID STEER AND COMPACT TRACTOR APPLICATIONS

TRAC CHIEF®/ TRAC CHIEF® XT

Applied on general duty skid steer and compact tractor applications, the Trac Chief and Trac Chief XT tires are engineered with a flat profile for increased stability, rugged tread compounds and a built-in rim gauge to protect its bead area from hazards and debris. Made in the USA.

SIZE	PRODUCT CODE	PLY RATING	DIAMETER*	WIDTH*	RIM WIDTH	ROLLING CIRC.	MAX CAPACITY @ 5 MPH	MAX PSI	TIRE WEIGHT	TREAD DEPTH (32nds)
18x8.50-10NHS (TL)	51S311	4	18.2	8.0	7.00	54.9	830	22	14.9	16
20x8.00-10NHS (TL)	560483	4	19.3	8.2	7.00	57.1	1210	35	17.5	16
5.70-12NHS (TL)	51S3C2	4	22.4	5.7	4.50	67.4	1450	60	15.6	17
23x8.50-12SS (TL)	51S3C3	4	23.0	8.0	7.00	68.9	1470	35	22.2	14
23x8.50-12SS (TL)	51S3G8	6	22.6	8.4	7.00	68.9	1820	50	26.1	26
26x12.00-12NHS (TL)	51S361	4	25.5	12.4	10.50	76.4	1780	20	38.3	21
26x12.00-12SS (TL)	6A0282	8	25.5	12.4	10.50	77.2	3020	50	47.0	21
23x8.50-14NHS (TL)	51S388	4	23.0	8.0	7.00	69.2	1560	35	22.6	17
25x8.50-14SS (TL)	51S379	6	25.8	8.4	7.00	77.1	2130	50	30.2	17
27x12.5-15NHS (TL)	560484	4	28.0	12	10.00	83.1	2030	20	41.0	19
27x8.50-15SS (TL)	51S339	6	26.7	9.0	7.00	79.8	2400	50	37.0	17
27x10.50-15SS (TL)	51S3H7	6	26.8	10.4	8.50	80.1	2610	45	36.2	17
27x10.50-15SS (TL)	560369	8	27.2	10.2	8.50	81.3	3740	60	41.3	17
28x8.5-15NHS (TL)	570139	6	28.3	8.8	7.00	83.6	1870	45	32.2	16
10-16.50NHS (TL)	51S3C8	6	30.5	10.7	8.25	87.9	3500	45	45.3	19
10-16.50NHS (TL)	51S3D1	8	30.5	10.7	8.25	92.1	4140	60	45.4	19
10-16.5 NHS (TL) XT*	570140	10	30.6	10.8	8.25	90.3	4710	75	49.0	21
12-16.50NHS (TL)	51S3C9	6	32.8	12.1	9.75	99.7	4220	40	57.0	23
12-16.5NHS (TL)	51S3J7	10	32.8	12.1	9.75	99.7	5600	65	63.5	23
12-16.5 NHS (TL) XT*	570141	12	32.8	12.5	9.75	95.6	6320	80	69.0	23
14-17.5NHS (TL)	510027	6	35.7	13.7	10.50	109.5	4820	30	83.0	25
14-17.5NHS (TL)	6A0284	10	36.2	13.7	10.50	107.3	6800	55	84.5	25
14-17.5NHS (TL)	510039	14	36.1	14.1	10.50	109.5	8540	80	84.5	25
15-19.5NHS (TL)	511729	6	40.0	15.6	12.25	119.1	6130	30	105.0	26
15-19.5NHS (TL)	510024	12	39.7	16.2	12.25	117.2	9190	60	116.0	26
15x19.5NHS (TL)	511702	14	39.7	16.2	12.25	117.2	10060	70	138.0	26
385/65D19.5 (TL)	511703	16	40.1	16.3	12.30	118.9	11000	95	116.0	25

These tires are not for highway use. † Indicates mounted diameter and mounted width
 *NOTE: Tire sizes shown with the asterisk are Trac Chief XT (XT) tread pattern, used for heavier loads.


GUARD DOG HD
ULTRA GUARD
ULTRA GUARD MX
GENERAL DUTY SKID STEER AND COMPACT TRACTOR APPLICATIONS
GUARD DOG® HD

Designed for heavy-duty skid steers, the Guard Dog HD tire has premium tread compounds for tougher service conditions and rigorous construction applications. With its stepped-off outer tread lugs and squared shoulder design, the Guard Dog HD delivers maximum performance and stability on the work site. Made in the USA.

SIZE	PRODUCT CODE	PLY RATING	DIAMETER†	WIDTH†	RIM WIDTH	ROLLING CIRC.	MAX CAPACITY @ 5 MPH	MAX PSI	TIRE WEIGHT	TREAD DEPTH (32nds)
33x15.50-16.5 (TL)	570031	12	32.8	14.4	12.00	97.3	6835	60	97.3	28
10-16.5NHS (TL)	570130	10	30.9	10.3	8.30	90.3	4710	75	56.6	26
12-16.5NHS (TL)	570131	12	32.7	12.1	9.75	95.6	6320	80	85.0	28

*NHS" tires are Non-Highway Service tires. † Indicates mounted diameter and mounted width

ULTRA GUARD®

Used for severe service skid steers, the Ultra Guard tire is engineered with an open shoulder design displaying a lug void essential for abrasive surface conditions. Its extra deep 44/32" tread depth shows a 70% increased depth than other premium skid steer products. With a tread yielding a 14% increased tire life and a thick sidewall buff bar for extra protection, the Ultra Guard tire is proven for absolute durability. Made in the USA.

SIZE	PRODUCT CODE	PLY RATING	DIAMETER†	WIDTH†	RIM WIDTH	ROLLING CIRC.	MAX CAPACITY @ 5 MPH	MAX PSI	TIRE WEIGHT	TREAD DEPTH (32nds)
10x16.5NHS (TL)	560402	10	30.4	10.4	8.25	92.4	4710	75	79.3	44
12x16.5NHS (TL)	560403	12	32.7	12.1	9.75	99.0	6320	80	99.6	44

*NHS" tires are Non-Highway Service tires. † Indicates mounted diameter and mounted width

ULTRA GUARD® MX

The Ultra Guard MX tire is engineered for Severe Duty skid steer applications. Designed with a unique large angled, non-directional center lug tread design, the Ultra Guard MX delivers increased performance on soft and hard surfaces. Made in the USA.

SIZE	PRODUCT CODE	PLY RATING	DIAMETER†	WIDTH†	RIM WIDTH	ROLLING CIRC.	MAX CAPACITY @ 5 MPH	MAX PSI	TIRE WEIGHT	TREAD DEPTH (32nds)
10-16.5 NHS (TL)	6A0325	10	31.5	11.0	8.25	92.2	4710	75	73.0	42
12-16.5 NHS (TL)	6A0326	14	32.7	13.0	9.75	95.9	6780	90	100.0	42
14-17.5 NHS (TL)	6A0327	14	36.3	14.4	10.50	106.2	8540	80	117.0	42

These tires are not for highway use.

† Indicates mounted diameter and mounted width



FSTR

CSL24

CSL32

CSL45

CSL48

CSL66

HEAVY DUTY, LARGE TRACTOR APPLICATIONS

FSTR

The FSTR is a line of R1–W radial tires with rim diameters ranging from a 16” to 48”. The radial construction of these tires will deliver the traction and smooth ride for farmers to increase their efficiency in the field.

CARLISLE LINE	SIZE PLATE	US SKU	PLY LOAD INDEX	PRIMARY LOAD RATING		SW (IN)	OD (IN)	TREAD DEPTH (AT CENTER) 32NDS	ROLLING CIRCUMFERENCE (INCHES)	STATIC LOAD RADIUS (INCHES)
				LOAD CAPACITY (LBS)	PRESSURE (PSI)					
FSTR	240/70 R16 (TL)	6A06802	104A8	1,984	34	9.65	29.33	35	88	13.2
FSTR	260/70 R16 (TL)	6A06812	109A8	2,271	34	10.24	30.31	37	91	13.6
FSTR	280/70 R16 (TL)	6A06822	112A8	2,469	34	11.10	31.42	40	94	14.0
FSTR	280/70 R18 (TL)	6A06832	114A8	2,601	34	11.10	33.43	40	100	15.0
FSTR	280/70 R20 (TL)	6A06842	116A8	2,756	34	11.10	35.43	43	106	15.9
FSTR	280/85 R20 (TL)	6A07052	112A8	2,469	23	11.10	38.74	43	116	17.4
FSTR	9.5R20 (TL)	6A05652	108A8	2,205	23	9.49	36.93	42	111	16.6
FSTR	300/70 R20 (TL)	6A06852	120A8	3,086	34	11.61	37.48	44	112	16.8
FSTR	320/70 R20 (TL)	6A06862	113A8	2,535	23	12.56	38.66	43	116	17.3
FSTR	320/85 R20 (TL)	6A07062	119A8	2,998	23	12.56	41.42	44	124	18.5
FSTR	360/70 R20 (TL)	6A06872	129A8	4,079	34	14.06	41.02	50	122	18.3
FSTR	280/85 R24 (TL)	6A05662	115A8	2,680	23	11.10	42.76	49	128	19.2
FSTR	320/70 R24 (TL)	6A06882	116A8	2,756	23	12.56	43.11	47	129	19.4
FSTR	320/85 R24 (TL)	6A07082	122A8	3,307	23	12.56	45.43	49	136	20.4
FSTR	340/85 R24 (TL)	6A05672	125A8	3,640	23	13.50	46.77	54	140	21.0
FSTR	360/70 R24 (TL)	6A06892	122A8	3,307	23	14.06	45.35	52	136	20.3
FSTR	380/70 R24 (TL)	6A06902	125A8	3,638	23	14.96	46.85	55	140	21.0
FSTR	380/85 R24 (TL)	6A05722	131A8	4,300	23	14.96	49.45	55	147	22.1
FSTR	420/70 R24 (TL)	6A06912	130A8	4,189	23	16.46	49.13	54	147	22.0
FSTR	420/85 R24 (TL)	6A07112	137A8	5,071	23	16.46	52.13	54	155	23.3
FSTR	440/65 R24 (TL)	6A06732	128D	3,968	35	17.52	46.65	50	139	20.9
FSTR	460/70 R24 (TL)	6A06922	152A8	7,826	46	18.11	49.61	47	148	22.2
FSTR	480/65 R24 (TL)	6A06742	133D	4,542	35	18.90	48.62	52	145	21.8
FSTR	480/70 R26 (TL)	6A08322	139A8	5,357	23	18.90	54.33	57	162	24.3


FSTR (continued)

CARLISLE LINE	SIZE PLATE	SKU	PRIMARY LOAD RATING			SW (IN)	OD (IN)	TREAD DEPTH (AT CENTER) 32NDS	FOLLING CIRCUMFERENCE (INCHES)	STATIC LOAD RADIUS (INCHES)
			LOAD INDEX	LOAD CAPACITY (LBS)	PRESSURE (PSI)					
FSTR	750/65 R26 (TL)	6A08342	166A8	11,685	34	29.72	64.57	63	192	28.7
FSTR	280/85 R28 (TL)	6A07122	118A8	2,910	23	11.10	46.73	49	140	21.1
FSTR	320/85 R28 (TL)	6A07132	124A8	3,527	23	12.60	49.41	52	148	22.2
FSTR	340/85 R28 (TL)	6A07142	127A8	3,858	23	13.50	50.75	53	152	22.8
FSTR	360/70 R28 (TL)	6A06932	125A8	3,638	23	14.06	49.41	53	148	22.2
FSTR	380/70 R28 (TL)	6A06942	127A8	3,858	23	14.96	50.91	55	153	22.9
FSTR	380/85 R28 (TL)	6A05702	133A8	4,540	23	14.96	53.43	55	160	24.0
FSTR	420/70 R28 (TL)	6A06952	133A8	4,542	23	16.46	53.19	54	159	23.9
FSTR	420/85 R28 (TL)	6A05712	139A8	5,360	23	16.46	56.10	58	168	25.1
FSTR	440/65 R28 (TL)	6A06752	131D	4,299	35	17.52	50.59	52	152	22.8
FSTR	480/65 R28 (TL)	6A06762	142D	5,842	35	18.90	52.64	52	158	23.7
FSTR	480/70 R28 (TL)	6A06962	140A8	5,512	23	18.90	56.10	58	168	25.1
FSTR	540/65 R28 (TL)	6A06772	149D	7,165	35	21.65	55.91	57	167	25.1
FSTR	380/85 R30 (TL)	6A06532	135A8	4,800	23	14.96	55.43	55	166	24.9
FSTR	420/70 R30 (TL)	6A06972	134A8	4,674	23	16.46	55.12	55	165	24.8
FSTR	420/85 R30 (TL)	6A05692	140A8	5,520	23	16.46	58.11	60	174	26.1
FSTR	460/85 R30 (TL)	6A05732	145A8	6,400	23	17.91	60.79	66	181	27.2
FSTR	480/70 R30 (TL)	6A06982	141A8	5,677	23	18.90	58.27	55	174	26.2
FSTR	600/70R30 (TL)	6A08132	158A8	9,370	34	23.43	63.19	67	188	28.3
FSTR	620/75 R30 (TL)	6A07032	163A8	10,748	35	24.80	66.73	73	198	29.8
FSTR	210/95 R32 (TL)	6A07292	114A8	2,601	34	8.46	47.83	39	144	21.6
FSTR	230/95 R32 (TL)	6A07302	128A8	3,968	58	9.06	49.41	40	149	22.3
FSTR	270/95 R32 (TL)	6A07312	136A8	4,938	58	10.83	52.36	49	158	23.6
FSTR	650/75 R32 (TL)	6A07042	172A8	13,889	46	25.59	70.67	74	210	31.5
FSTR	420/85 R34 (TL)	6A07202	142A8	5,842	23	16.46	62.13	60	186	27.9
FSTR	460/85 R34 (TL)	6A05742	147A8	6,800	23	17.91	64.80	66	194	29.1
FSTR	480/70 R34 (TL)	6A06992	143A8	6,008	23	18.86	62.20	59	187	28.0
FSTR	340/85 R36 (TL)	6A07222	132A8	4,409	23	13.50	58.86	54	177	26.6
FSTR	340/85 R38 (TL)	6A07232	133A8	4,542	23	13.50	60.83	54	183	27.5
FSTR	380/85 R38 (TL)	6A07242	139A8	5,357	23	14.96	63.43	55	191	28.6
FSTR	420/85 R38 (TL)	6A07252	144A8	6,173	23	16.46	66.10	60	199	29.8
FSTR	460/85 R38 (TL)	6A06582	149A8	7,150	23	17.91	68.78	66	206	30.9
FSTR	480/70 R38 (TL)	6A07002	145A8	6,393	23	18.90	66.34	62	199	29.9
FSTR	520/70 R38 (TL)	6A07012	150A8	7,385	23	20.31	68.90	66	207	31.0



FSTR (continued)

CARLISLE LINE	SIZE PLATE	SKU	PRIMARY LOAD RATING			SW (IN)	OD (IN)	TREAD DEPTH (AT CENTER) 32NDS	ROLLING CIRCUMFERENCE (INCHES)	STATIC LOAD RADIUS (INCHES)
			LOAD INDEX	LOAD CAPACITY (LBS)	PRESSURE (PSI)					
FSTR	520/85 R38 (TL)	6A05792	155A8	8,550	23	20.31	72.80	69	218	32.7
FSTR	580/70 R38 (TL)	6A07022	155A8	8,543	23	22.83	72.05	69	216	32.4
FSTR	600/65 R38 (TL)	6A06782	159D	9,645	35	23.43	68.90	58	207	31.0
FSTR	650/65 R38 (TL)	6A06792	163D	10,748	34	25.59	71.65	72	215	32.2
FSTR	710/70R38 (TL)	6A08142	171D	13,558	34	27.95	77.13	72	231	34.6
FSTR	480/80 R42 (TL)	6A06562	151A8	7,606	23	19.09	72.64	66	218	32.7
FSTR	520/85 R42 (TL)	6A07282	157A8	9,094	23	20.31	76.97	71	231	34.6
FSTR	210/95 R44 (TL)	6A07322	120A8	3,086	34	8.46	59.84	40	181	27.1
FSTR	230/95 R44 (TL)	6A07332	132A8	4,409	58	9.06	61.42	42	186	27.8
FSTR	300/95 R46 (TL)	6A07342	148A8	6,945	58	11.81	68.50	50	207	31.0
FSTR	320/90 R46 (TL)	6A08362	146A8	6,614	46	12.60	68.90	52	208	31.2
FSTR	380/90 R46 (TL)	6A08352	159D	9,645	58	14.96	73.23	57	221	33.1
FSTR	480/80 R46 (TL)	6A08332	164A8	11,023	46	19.09	76.57	66	230	34.6
FSTR	230/95 R48 (TL)	6A07352	136A8	4,938	58	9.06	65.35	45	198	29.6

CSL24

The CSL24 Bias R1 Tires Series offers an angled tread that provides traction and long life. Its excellent grip with enhanced cut and chip resistant tread is designed for use with tractors, sprayers and harvesters.

CARLISLE LINE	SIZE PLATE	SKU	PLY	PRIMARY LOAD RATING			SW (IN)	OD (IN)	TREAD DEPTH (AT CENTER) 32NDS	ROLLING CIRCUMFERENCE (INCHES)	STATIC LOAD RADIUS (INCHES)
				LOAD CAPACITY (LBS)	PRESSURE (PSI)						
CSL24	11.2-24 (TT)	6A05952	6	2,090	26	11.18	43.50	44	130	19.6	
CSL24	11.2-24 (TT)	6A05962	8	2,540	36	11.18	43.50	44	130	19.6	
CSL24	12.4-24 (TT)	6A05982	6	2,400	24	12.40	45.67	43	137	20.5	
CSL24	12.4-24 (TT)	6A05992	8	2,830	32	12.40	45.67	43	137	20.5	
CSL24	13.6-24 (TT)	6A06002	6	2,680	22	13.58	47.64	45	142	21.4	
CSL24	13.6-24 (TT)	6A06012	8	3,080	28	13.58	47.64	45	142	21.4	
CSL24	14.9-24 (TT)	6A06032	6	3,000	20	14.88	49.80	44	149	22.3	
CSL24	14.9-24 (TT)	6A06042	8	3,520	26	14.88	49.80	44	149	22.3	
CSL24	8.3-24 (TT)	6A05912	6	1,570	34	8.27	39.72	31	119	17.8	
CSL24	9.5-24 (TT)	6A05932	6	1,870	30	9.49	41.34	34	124	18.5	
CSL24	14.9-26 (TT)	6A06142	10	4,080	32	14.88	51.77	45	154	23.2	
CSL24	18.4-26 (TT)	6A06072	10	5,200	26	18.39	57.52	47	171	25.7	


HEAVY DUTY, LARGE TRACTOR APPLICATIONS
CSL24 (continued)

CARLISLE LINE	SIZE PLATE	SKU	PLY	PRIMARY LOAD RATING		SW (IN)	OD (IN)	TREAD DEPTH (AT CENTER) 32NDS	ROLLING CIRCUMFERENCE (INCHES)	STATIC LOAD RADIUS (INCHES)
				LOAD CAPACITY (LBS)	PRESSURE (PSI)					
CSL24	23.1-26 (TL)	6A06382	14	7,850	28	23.11	63.19	55	187	28.1
CSL24	11.2-28 (TT)	6A06082	6	2,200	26	11.18	47.44	42	142	21.3
CSL24	12.4-28 (TT)	6A06102	6	2,540	24	12.40	49.61	43	148	22.2
CSL24	12.4-28 (TT)	6A06112	8	3,080	34	12.40	49.61	43	148	22.2
CSL24	13.6-28 (TT)	6A06122	6	2,830	22	13.58	51.57	45	154	23.1
CSL24	13.6-28 (TT)	6A06132	8	3,300	28	13.58	51.57	45	154	23.1
CSL24	14.9-28 (TT)	6A06152	6	3,200	20	14.88	53.74	45	160	24.0
CSL24	14.9-28 (TT)	6A06192	8	3,740	26	14.88	53.74	45	160	24.0
CSL24	16.9-28 (TT)	6A06172	8	4,300	24	16.89	56.50	48	168	25.3
CSL24	16.9-28 (TT)	6A06182	10	4,680	28	16.89	56.50	48	168	25.3
CSL24	14.9-30 (TT)	6A06202	8	3,860	26	14.88	55.71	47	166	24.9
CSL24	14.9-30 (TT)	6A06332	10	4,300	32	14.88	55.71	47	166	24.9
CSL24	16.9-30 (TT)	6A06222	8	4,400	24	16.89	58.46	48	174	26.1
CSL24	16.9-30 (TT)	6A06432	10	4,940	28	16.89	58.46	48	174	26.1
CSL24	18.4-30 (TT)	6A06232	8	4,800	20	18.39	61.02	47	182	27.2
CSL24	18.4-30 (TT)	6A06242	10	5,520	26	18.39	61.02	47	182	27.2
CSL24	16.9-34 (TT)	6A06262	8	4,680	24	16.89	62.40	44	186	27.9
CSL24	16.9-34 (TT)	6A06272	10	5,200	28	16.89	62.40	44	186	27.9
CSL24	18.4-34 (TT)	6A06282	10	6,000	26	18.39	64.96	47	193	29.0
CSL24	12.4-38 (TT)	6A06302	8	3,520	32	12.40	59.65	44	178	26.7
CSL24	13.6-38 (TT)	6A06312	6	3,300	22	13.58	61.61	45	184	27.6
CSL24	15.5-38 (TT)	6A06162	8	4,080	26	15.51	61.81	47	184	27.7
CSL24	16.9-38 (TT)	6A06352	8	4,940	24	16.89	66.34	48	198	29.6
CSL24	18.4-38 (TT)	6A06362	10	6,400	26	18.39	68.90	48	205	30.8
CSL24	18.4-38 (TT)	6A06372	14	7,600	36	18.39	68.90	48	205	30.8



CSL32

The CSL32 Bias R-1 tire is designed with overlapping center tread lugs to deliver maximum strength. This product is designed to provide maximum performance in both wet and dry soil and offers a great size range and traction for older tractors.

				PRIMARY LOAD RATING							
CARLISLE LINE	SIZE PLATE	SKU	PLY	LOAD CAPACITY (LBS)	PRESSURE (PSI)	SW (IN)	OD (IN)	TREAD DEPTH (AT CENTER) 32NDS	ROLLING CIRCUMFERENCE (INCHES)	STATIC LOAD RADIUS (INCHES)	
CSL32	16.9-30 (TT)	6A06502	8	4,400	24	16.89	58.46	48	174	26.1	
CSL32	15.5-38 (TT)	6A06512	8	4,080	26	15.51	61.81	47	184	27.7	
CSL32	16.9-38 (TT)	6A06522	8	4,940	24	16.89	66.34	48	198	29.6	

CSL45

The CSL45 Heavy Duty Skid Steer Series is designed for use in mixed surfaces. The unique tread compound has been formulated to reduce downtime from cuts and punctures.

				PRIMARY LOAD RATING							
CARLISLE LINE	SIZE PLATE	SKU	PLY	LOAD CAPACITY (LBS)	PRESSURE (PSI)	SW (IN)	OD (IN)	TREAD DEPTH (AT CENTER) 32NDS	ROLLING CIRCUMFERENCE (INCHES)	STATIC LOAD RADIUS (INCHES)	
CSL45	10-16.5 (TL)	6A06482	12	5,240	90	11.10	30.51	38	92	13.8	
CSL45	12-16.5 (TL)	6A06492	14	6,780	90	12.60	33.31	43	100	15.0	

CSL48

The CSL48 R3 Diamond Tread tire features a high floatation and turf-friendly design. It's optimal for tractor applications where low ground pressure is required such as golf courses or sandy soil as well as highway use.

				PRIMARY LOAD RATING							
CARLISLE LINE	SIZE PLATE	SKU	PLY	LOAD CAPACITY (LBS)	PRESSURE (PSI)	SW (IN)	OD (IN)	TREAD DEPTH (AT CENTER) 32NDS	ROLLING CIRCUMFERENCE (INCHES)	STATIC LOAD RADIUS (INCHES)	
CSL48	23.1-26 (TL)	6A06452	10	6,400	20	23.11	62.20	35	184	27.6	
CSL48	23.1-26 (TL)	6A06462	12	7,150	24	23.11	62.20	35	184	27.6	
CSL48	23.1-26 (TL)	6A06472	14	7,850	28	23.11	62.20	35	184	27.6	

CSL66

The CSL 66 Loader/Grader Tires feature a center lug design and provide steering stability in soft ground.

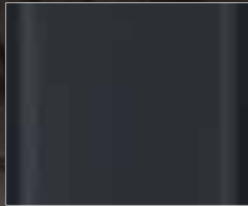
				PRIMARY LOAD RATING							
CARLISLE LINE	SIZE PLATE	SKU	PLY	LOAD CAPACITY (LBS)	PRESSURE (PSI)	SW (IN)	OD (IN)	TREAD DEPTH (AT CENTER) 32NDS	ROLLING CIRCUMFERENCE (INCHES)	STATIC LOAD RADIUS (INCHES)	
CSL66	13.00-24 TG NHS (TL)	6A06602	16	7,150	58	13.19	50.39	29	149	22.4	
CSL66	14.00-24 TG NHS (TL)	6A06612	16	8,050	51	15.04	53.31	31	158	23.7	

Industrial

ALL PURPOSE



**INDUSTRIAL
DEEP TRACTION** 56



**ROAD
ROLLER** 56



**INDUSTRIAL
ALL PURPOSE** 56



**PREMIUM
WIDE TRAC** 57



**GROUND FORCE®
ULTRA RIB** 57







INDUSTRIAL DEEP TRACTION

ROAD ROLLER

INDUSTRIAL ALL PURPOSE

MATERIAL HANDLING, MINING, COMPACTION AND ROAD PAVING EQUIPMENT
INDUSTRIAL DEEP TRACTION

With its flat tread and reinforced beads, the Industrial Deep Traction tire is an essential standard duty tire that delivers stability and long lasting performance.

SIZE	PRODUCT CODE	PLY RATING	DIAMETER†	WIDTH†	RIM WIDTH	MAX CAPACITY @ 10 MPH	MAX PSI	TIRE WEIGHT	TREAD DEPTH (32nds)
5.70/5.00-8NHS (TT)	60126	8	18.2	5.5	4.5/3.0	1830*	115	11.9	9
6.90/6.00-9NHS (TT)	60101	10	21.9	6.9	5.5/4.0	3715	125	20.3	19
6.50-10NHS (TT)	60105	10	23.4	7.4	5.00	4225	115	25.4	20
7.00-12NHS (TT)	60102	12	27.4	7.8	5.00	5995	125	36.8	21
8.25-15NHS (TT)	60104	12	33.6	9.8	6.50	8680	105	59.4	23
29x8.00-15NHS (TT)	60103	12	29.2	7.5	5.50	6870	125	47.9	25

*"NHS" tires are Non-Highway Service tires. Flap is included for these tube type (TT) tires. Unless otherwise noted, load limits listed are for the Load Wheel on Counter balanced Lift Trucks. Tire load limits will be lower if used on continuous service Industrial Vehicles.

**NOTE: Load limit listed for Steer Wheel on Counterbalanced Lift Truck at 15 MPH.

† Indicates mounted diameter and mounted width

ROAD ROLLER

The Road Roller tire offers a smooth and steady tread for a consistent and leveled ride. With superior heat resistant nylon fabric belts, this tire supports heavy-duty handling with effortless execution.

SIZE	PRODUCT CODE	PLY RATING	DIAMETER†	WIDTH†	RIM WIDTH	MAX CAPACITY @ 10 MPH	MAX PSI	TIRE WEIGHT
7.50-15NHS (TT)*	60127	12	30.9	8.6	6.00	5860	110	44.7
7.50-15NHS (TT)	60128	14	30.9	8.6	6.00	6300	125	49.3
8.5/90-15K (TL)**	58R3A2	6	30.9	8.6	6.00	3900	50	46.9

*For 7.50-15 size tube type. Use 5 degree flat base rim. Flap is included for the tube type (TT) tires.

**For 5 Degree Drop Center Rim only. Flap is included for the tube type (TT) tires.

† Indicates mounted diameter and mounted width

INDUSTRIAL ALL PURPOSE

Designed with two different rib patterns throughout the tread, the Industrial All Purpose tire presents a multi-purpose service of both traction and support with optimized weight distribution for stability with heavy equipment.

SIZE	PRODUCT CODE	PLY RATING	DIAMETER†	WIDTH†	RIM WIDTH	MAX CAPACITY @ 10 MPH	MAX PSI	TIRE WEIGHT	TREAD DEPTH (32nds)
7.50-10 TT	60100	E	25.3	7.6	5.50	1975	90	24.4	12

Flap is included for these tube type (TT) tire.

† Indicates mounted diameter and mounted width



PREMIUM WIDE TRAC

GROUND FORCE ULTRA RIB GSE

MATERIAL HANDLING, MINING, COMPACTION AND ROAD PAVING EQUIPMENT

PREMIUM WIDE TRAC

The Premium Wide Trac tire offers superior level design with an extra heavy-duty sidewall for material handling applications. Its durable construction resists abrasions in sever conditions to maximize efficiency.

SIZE	PRODUCT CODE	PLY RATING	DIAMETER†	WIDTH†	RIM WIDTH	MAX CAPACITY @ 10 MPH	MAX PSI	TIRE WEIGHT	TREAD DEPTH (32nds)
5.70/5.00-8NHS (TT)	60118	8	18.2	5.4	3.00	1930	120	15.0	17
5.70/5.00-8NHS (TT)	60122	10	18.5	5.5	4.5/3.0	2340	150	15.5	17
6.90/6.00-9NHS (TT)	60110	10	22.2	6.0	4.00	3715	125	28.6	32
6.50-10NHS (TT)	60116	10	23.8	7.1	5.00	4225	115	37.8	32
7.00-12NHS (TT)	60111	12	27.3	7.5	5.00	7690	125	51.5	32
8.25-15NHS (TT)	60121	14	33.6	9.8	6.50	9385	120	85.4	24
28x9.00-15NHS (TT)	60119	12	27.3	8.8	7.00	6880	120	52.7	18
28x9.00-15NHS (TT)	60120	14	27.3	8.9	7.00	7530	140	53.5	18
29x8.00-15NHS (TT)	60112	12	28.9	7.5	5.50	6870	125	57.3	32
2.50-15NHS (TT)	60123	18	29.1	9.1	7.50	10100	150	70.4	24
3.00-15NHS (TT)	60124	20	32.7	11.3	8.00	14500	135	120.2	26
28x12.00-15NHS (TT)	60115	20	28.1	11.5	9.75	10800	150	86.0	24
7.50-16.00NHS (TT)	60125	12	32.3	8.5	6.00	8000	115	57.1	22

Flap is included for these tube type (TT) tires.

Unless otherwise noted, load limits listed are for the Load Wheel on Counterbalanced Lift Trucks.

Tire load limits will be lower if used on continuous service Industrial Vehicles.

† Indicates mounted diameter and mounted width

GROUND FORCE® ULTRA RIB GSE

Combined with a sturdy rib tread pattern and premium tread compounds, the Ground Force Ultra Rib GSE tire is specially designed for optimal performance on ground support equipment.

SIZE	PRODUCT CODE	PLY RATING	DIAMETER†	WIDTH†	RIM WIDTH	MAX CAPACITY @ 10 MPH	MAX PSI	TIRE WEIGHT	TREAD DEPTH (32nds)
4.80-8NHS (TT)	60133	8	16.5	4.8	3.80	1160	145	10.7	11
5.70-8NHS (TT)	60132	8	18.4	5.9	3.80	1470	120	12.8	11
6.50-10NHS (TT)	60109	10	23.2	7.1	5.00	2535	115	28.6	24
6.90-6.00-9NHS (TT)	60131	10	21.6	6.8	4.00	2200	125	26.0	24
9.00-10NHS (TT)	60108	10	27.2	9.7	6.00	3720	85	34.5	9
175/80D13NHS (TL)	52N3T9	8	23.7	6.1	5.00	2070	115	27.4	24

A flap is included for the Ground Force Ultra Rib GSE Tube Type (TT) tires.

"NHS" tires are Non-Highway Service tires.

† Indicates mounted diameter and mounted width

Wheels



**NON-REVERSIBLE,
SOLID CENTER, OFF
WHITE AG WHEEL** 60



**REVERSIBLE, COINED OFF
WHITE AG WHEELS WITHOUT
VALVE GUARD** 60



**HIGHWAY
SUPREME TRAILER
WHEELS WHITE** 60



**HIGHWAY
SUPREME TRAILER
WHEELS SILVER** 61



**HIGHWAY EIGHT
SPOKE TRAILER
WHEELS WHITE** 61



**HIGHWAY EIGHT
SPOKE TRAILER
WHEELS GALVANIZED** 61



**HIGHWAY
STANDARD TRAILER
WHEELS WHITE** 62



**HIGHWAY
STANDARD TRAILER
WHEELS GALVANIZED** 62



**4 WINDOW DUAL
TRAILER WHEELS** 62



**INTRUDER ALUMINUM
TRAILER WHEELS MATTE BLACK
WITH MACHINED ACCENTS** 63



**INTRUDER ALUMINUM
TRAILER WHEELS
SILVER PAINTED** 63



**CROSSTRAX TRAILER
WHEELS MACHINED WITH
BLACK/SILVER ACCENTS** 63





OFF WHITE AG WHEEL



OFF WHITE AG WHEEL, WITHOUT VALVE GUARD



HIGHWAY SUPREME, WHITE WITH STRIPES

FRONT TRACTORS, WAGONS, BALERS, SPREADERS, SEEDERS, IRRIGATION SYSTEMS AND FEED YARD SCRAPERS

NON-REVERSIBLE, SOLID CENTER, OFF WHITE AG WHEEL (BOXED)

PART NUMBER	RIM SIZE	BOLT PATTERN	OFFSET	WEIGHT	CENTER BORE (IN.)	DISC THICKNESS	RIM THICKNESS
1519293038	15x6 JJ	6-6.0	0.875"	24.5	4.64	0.240"	0.138"
1519294038	15x8 JJ	6-6.0	1.125"	28.0	4.64	0.240"	0.138"
1526848038	15x8 LB	6-6.0	1.125"	35.0	4.64	0.240"	0.188"
1519299038	15x8 JJ	8-8.0	-1.500"	28.0	6.02	0.240"	0.138"
1526859038	15x8 LB	8-8.0	-1.500"	35.0	6.02	0.240"	0.188"
1519300038	15x10 JJ	8-8.0	-1.500"	32.0	6.02	0.240"	0.138"
1526074038	15x10 LB	8-8.0	-1.500"	38.5	6.02	0.240"	0.188"
1619296038	16x6 JJ	6-6.0	1.000"	32.0	4.64	0.240"	0.158"
1619301038	16x8 JJ	8-8.0	-1.500"	33.0	6.02	0.240"	0.158"
1619302038	16x10 JJ	8-8.0	-1.375"	36.5	6.02	0.240"	0.158"

REVERSIBLE, COINED OFF WHITE AG WHEEL WITHOUT VALVE GUARD (BOXED)

PART NUMBER	RIM SIZE	BOLT PATTERN	OFFSET	WEIGHT	CENTER BORE (IN.)	DISC THICKNESS	RIM THICKNESS
1529713038	15x5 JJ	6-6.0	1.125"	22.0	4.64	0.223"	0.123"
1529771038	15x6 JJ	6-6.0	1.125"	24.0	4.64	0.223"	0.134"
1521799038	15x6 K	6-6.0	1.125"	24.0	4.64	0.223"	0.134"
1529885038	15x8 JJ	6-6.0	1.125"	27.5	4.64	0.223"	0.138"
1529714038	15x8 LB	6-6.0	1.125"	35.0	4.64	0.223"	0.188"
1529843038	15x10 JJ	6-6.0	1.125"	33.0	4.64	0.223"	0.155"
1529720038	15x10 LB	6-6.0	1.125"	39.0	4.64	0.223"	0.188"

BOAT TRAILERS, CARGO TRAILERS, HORSE AND STOCK TRAILERS, RV-TOWABLE UTILITY AND SPECIALTY TRAILERS

HIGHWAY SUPREME TRAILER WHEELS - WHITE WITH RED AND BLUE STRIPES (BOXED)

PART NUMBER	RIM SIZE	BOLT PATTERN	OFFSET (+/-)	REAR SPACING	SHIPPING WEIGHT	CENTER BORE (IN.)	LOAD RATING
1221483564B	12x4	4-4.0	0	2 3/8"	10	2.80	1520
1221442564B	12x4	5-4.5	0	2 3/8"	10	2.80	1520
1321132564B	13x4.5	5-4.5	0	2 3/4"	13	3.30	1730
1421156564B	14x6	5-4.5	0	3 1/2"	20	3.30	1870
1519898564B	15x5	5-4.5	-3mm	2 7/8"	20	3.30	2150
1521133564B	15x6	5-4.5	0	3 1/2"	22	3.30	2150
1521124564B	15x6	6-5.5	0	3 1/2"	22	4.28	2850
1621157564B	16x6	6-5.5	0	3 1/2"	27	4.28	3300
1621149564B	16x6	8-6.5	0	3 1/2"	27	5.15	4080



HIGHWAY SUPREME SILVER



HIGHWAY EIGHT SPOKE, WHITE WITH STRIPES



HIGHWAY EIGHT SPOKE, GALVANIZED

BOAT TRAILERS, CARGO TRAILERS, HORSE AND STOCK TRAILERS, RV-TOWABLE UTILITY AND SPECIALTY TRAILERS

HIGHWAY SUPREME TRAILER WHEELS - SILVER (BOXED)

PART NUMBER	RIM SIZE	BOLT PATTERN	OFFSET (+/-)	REAR SPACING	SHIPPING WEIGHT	CENTER BORE (IN.)	LOAD RATING
1221131532B	12x4	5-4.5	0	2 3/8"	10	2.80	1520
1321132532B	13x4.5	5-4.5	0	2 3/4"	13	3.30	1730
1421156532B	14x6	5-4.5	0	3 1/2"	20	3.30	1870
1519898532B	15x5	5-4.5	-3mm	2 7/8"	20	3.30	2150
1521133532B	15x6	5-4.5	0	3 1/2"	22	3.30	2150
1521124532B	15x6	6-5.5	0	3 1/2"	22	4.28	2850
1621157532B	16x6	6-5.5	0	3 1/2"	27	4.28	3300
1621140532B	16x6	8-6.5	0	3 1/2"	27	5.15	4080

HIGHWAY EIGHT SPOKE TRAILER WHEELS - WHITE WITH RED AND BLUE STRIPES (BOXED)

PART NUMBER	RIM SIZE	BOLT PATTERN	OFFSET (+/-)	REAR SPACING	SHIPPING WEIGHT	CENTER BORE (IN.)	LOAD RATING
1221135564B	12x4	4-4.0	0	2 3/8"	10	2.80	1520
1221131564B	12x4	5-4.5	0	2 3/8"	10	2.80	1520
1321136564B	13x4.5	5-4.5	0	2 3/4"	14.5	3.30	1660
1421137564B	14x6	5-4.5	0	3 1/2"	20	3.30	1870
1521158564B	15x5	5-4.5	-3mm	2 7/8"	20	3.30	2150
1521138564B	15x6	5-4.5	0	3 1/2"	21	3.30	2150
1521139564B	15x6	6-5.5	0	3 1/2"	21	4.28	2850
1621113564B	16x6	6-5.5	0	3 1/2"	30	4.28	3750
1621112564B	16x6	8-6.5	0	3 1/2"	30	5.15	4080

HIGHWAY EIGHT SPOKE TRAILER WHEELS - GALVANIZED (BOXED)

PART NUMBER	RIM SIZE	BOLT PATTERN	OFFSET (+/-)	REAR SPACING	SHIPPING WEIGHT	CENTER BORE (IN.)	LOAD RATING
1221135400B	12x4	4-4.0	0	2 3/8"	10	2.80	1520
1221442400B	12x4	5-4.5	0	2 3/8"	10	2.80	1520
1321136400B	13x4.5	5-4.5	0	2 3/4"	14.5	3.30	1660
1421137400B	14x6	5-4.5	0	3 1/2"	20	3.30	1870
1521138400B	15x6	5-4.5	0	3 1/2"	21	3.30	2150
1521139400B	15x6	6-5.5	0	3 1/2"	21	4.28	2850
1621113400B	16x6	6-6.5	0	3 1/2"	30	4.28	3750
1621112400B	16x6	8-6.5	0	3 1/2"	30	5.15	4080



HIGHWAY STANDARD, WHITE



HIGHWAY STANDARD, GALVANIZED



4 WINDOW DUAL TRAILER

BOAT TRAILERS, CARGO TRAILERS, HORSE AND STOCK TRAILERS, RV-TOWABLE UTILITY AND SPECIALTY TRAILERS

HIGHWAY STANDARD TRAILER WHEELS - WHITE (BOXED)

PART NUMBER	RIM SIZE	BOLT PATTERN	OFFSET (+/-)	REAR SPACING	SHIPPING WEIGHT	CENTER BORE (IN.)	LOAD RATING
0821466266B	8x3.75	4-4.0	0	2 3/8"	4.5	2.81	910
0821467266B	8x3.75	5-4.5	0	2 3/8"	4.5	2.81	910
0815293266B	8x5.375	4-4.0	-0.75	2 7/16"	5.0	2.81	900
0815295266B	8x5.375	5-4.5	-0.75	2 7/16"	5.0	2.81	900
0821654266B	8x7	4-4.0	0	4"	6.5	2.50	915
0821637266B	8x7	5-4.5	0	4"	6.5	2.81	935
1021632266B	10x6	4-4.0	0	3 1/2"	10.5	2.50	1320
1021583266B	10x6	5-4.5	0	3 1/2"	10.5	2.81	1535

HIGHWAY STANDARD TRAILER WHEELS - GALVANIZED (BOXED)

PART NUMBER	RIM SIZE	BOLT PATTERN	OFFSET (+/-)	REAR SPACING	SHIPPING WEIGHT	CENTER BORE (IN.)	LOAD RATING
0821466400B	8x3.75	4-4.0	0	2 3/8"	4.5	2.81	910
0821467400B	8x3.75	5-4.5	0	2 3/8"	4.5	2.81	910
0815293400B	8x5.375	4-4.0	-0.75	2 7/16"	5.0	2.81	900
0815295400B	8x5.375	5-4.5	-0.75	2 7/16"	5.0	2.81	900
0821654400B	8x7	4-4.0	0	4"	6.5	2.50	915
0821637400B	8x7	5-4.5	0	4"	6.5	2.81	935
1021632400B	10x6	4-4.0	0	3 1/2"	10.5	2.50	1320
1021583400B	10x6	5-4.5	0	3 1/2"	10.5	2.81	1535
1021583400B	10x6	5-4.5	0	3 1/2"	10.5	2.81	1535

4 WINDOW DUAL TRAILER WHEEL (BOXED)

PART NUMBER	RIM SIZE	BOLT PATTERN	OFFSET (+/-)	REAR SPACING	SHIPPING WEIGHT	CENTER BORE (IN.)	LOAD RATING
1621472284B	16x6	8-6.5	N/A	8 5/8"	43	4.88	3640
1619880284B	16x6	8-6.5	N/A	8 5/8"	43	4.77	3640



INTRUDER ALUMINUM, MATTE BLACK



INTRUDER ALUMINUM, SILVER



CROSSTRAX TRAILER WHEEL

BOAT TRAILERS, CARGO TRAILERS, HORSE AND STOCK TRAILERS, RV-TOWABLE UTILITY AND SPECIALTY TRAILERS

INTRUDER ALUMINUM TRAILER WHEELS - MATTE BLACK WITH MACHINED ACCENTS (BOXED)

- STEEL LUG INSERTS

- CONICAL SEAT LUG NUTS AND CAPS SOLD SEPARATELY

PART NUMBER	RIM SIZE	BOLT PATTERN	OFFSET (+/-)	REAR SPACING	SHIPPING WEIGHT	CENTER BORE (IN)	CAPACITY
910B4551232	14x5.5	5-4.5	0	3 1/4"	18	3.20	1900
910B561235	15x6	5-4.5	0	3 1/2"	20	3.20	2150
910B566035	15x6	6-5.5	0	3 1/2"	20	4.28	2830
910B668035	16x6	8-6.5	0	3 1/2"	24	4.90	3960

INTRUDER ALUMINUM TRAILER WHEELS - SILVER PAINTED (BOXED)

- STEEL LUG INSERTS

- CONICAL SEAT LUG NUTS AND CAPS SOLD SEPARATELY

PART NUMBER	RIM SIZE	BOLT PATTERN	OFFSET (+/-)	REAR SPACING	SHIPPING WEIGHT	CENTER BORE (IN)	CAPACITY
910S4551232	14x5.5	5-4.5	0	3 1/4"	18	3.20	1900
910S561235	15x6	5-4.5	0	3 1/2"	20	3.20	2150
910S566035	15x6	6-5.5	0	3 1/2"	20	4.28	2830
910S668035	16x6	8-6.5	0	3 1/2"	24	4.90	3960

CROSSTRAX TRAILER WHEELS-MACHINED WITH BLACK ACCENTS WITH CLEAR COAT (BOXED)

- STEEL LUG INSERTS

- CONICAL SEAT LUG NUTS AND CAPS SOLD SEPARATELY

PART NUMBER	RIM SIZE	BOLT PATTERN	OFFSET (+/-)	REAR SPACING	SHIPPING WEIGHT	CENTER BORE (IN)	LOAD RATING	CAP PART NUMBER
922MB241225	12x4	5-4.5	0	2 1/2"	9	3.20	1520	231922BR
922MB351230	13x5	5-4.5	0	2 3/4"	13	3.20	1710	231922BR
922MB4551232	14x5.5	5-4.5	0	3 1/4"	15	3.20	1900	231922BR
922MB561235	15x6	5-4.5	0	3 1/2"	15	3.20	2150	231922BR
922MB566035	15x6	6-5.5	0	3 1/2"	18	4.28	2830	242522BR
922MB666035	16x6	6-5.5	0	3 1/2"	20	4.28	3200	242522BR
922MB668035	16x6	8-6.5	0	3 1/2"	20	4.90	3960	249022BR





TUBES / FLAPS



LAWN AND GARDEN, INDUSTRIAL, TRAILER

SIZE	PRODUCT CODE	VALVE	VALVE ON/OFF-CENTER	UNIT WEIGHT	UNITS / CASE
2.80/2.50 - 4	320050	TR87	ON	0.3	10
2.80/2.50 - 4	320010	JS87P	ON	0.3	10
9 x 3.50 - 4	320030	TR87	ON	0.4	10
9 x 3.50 - 4	320031	JS87P	ON	0.4	10
4.10/3.50 - 4	320100	TR87	5 mm	0.4	10
4.10/3.50 - 4	320040	TR13	5 mm	0.4	10
4.10/3.50 - 4	320020	JS87P	5 mm	0.4	10
3.40/3.00 - 5	320150	TR87	10 mm	0.4	10
4.10/3.50 - 5	320200	TR87	10 mm	0.6	10
4.10/3.50 - 5	320070	TR13	10 mm	0.5	10
4.10/3.50 - 5	320060	JS87P	10 mm	0.5	10
11x4.00 - 5	320080	TR87	20 mm	0.5	10
11 x 6.00 - 5	323520	TR87	10 mm	0.6	10
4.10/3.50 - 6	320250	TR87	ON	0.5	10
4.10/3.50 - 6	320160	TR13	10 mm	0.6	10
13 x 5.00 - 6	320260	TR87	10 mm	0.6	10
13 x 5.00 - 6	323790	TR13	10 mm	0.6	10
13x6.50 - 6	320170	TR13	10 mm	0.6	10
5.30/4.50 - 6	320270	TR87	10 mm	0.6	10
15 x 6.00 - 6	320290	TR87	20 mm	0.8	10
15 x 6.00 - 6	323800	TR13	20 mm	0.8	10
3.50/4.00 - 8	320120	TR13	ON	0.5	10
3.50/4.00 - 8	320360	TR87	ON	0.5	10
4.80/4.00 - 8	320400	TR13	10 mm	0.5	10
4.80/4.00 - 8	320130	TR87	10 mm	0.6	10
5.70/5.00 - 8	320450	TR13	25 mm	1.0	10
16 x 6.50/7.50 - 8	320420	TR13	25 mm	1.0	10
20x7 - 8	320140	TR6	25 mm	1.6	10
18.00x6.50/8.50/9.50-8 20X8.00/10.00-8	320410	TR13	25 mm	1.6	10
6.90/6.00 - 9	321500	TR13	25 mm	1.5	10
20 x 8.00/10.00 - 10	320770	TR13	20 mm	1.8	10
6.00-12	323843	TR13	20 mm	1.8	10
4.80/5.30-12 COMBO	320901	TR13	20 mm	1.3	10
23x8.50/9.50/10.50-12	321370	TR13	25 mm	3.3	10
26 x 12 - 12	321050	TR13	40 mm	3.4	10
23x8.50/9.50/10.50-12	321370	TR13	25 mm	3.3	10
26 x 12 - 12	321050	TR13	40 mm	3.4	10

RADIAL ATV

SIZE	PRODUCT CODE	VALVE	VALVE ON/OFF-CENTER	UNIT WEIGHT	UNITS / CASE
AT16x8.00R7	320035	TR6	20 mm	1.4	10
AT21/22x11/12R8	320440	TR6	25 mm	1.6	10
20x7.00R8	320141	TR6	25 mm	1.6	10
AT25x12/13R9	321520	TR6	35 mm	2.2	10
AT22/23x8R11/12	321371	TR6	25 mm	3.3	10

RADIAL ATV (continued)

SIZE	PRODUCT CODE	VALVE	VALVE ON/OFF-CENTER	UNIT WEIGHT	UNITS / CASE
AT24/26x12R12	321051	TR6	40 mm	3.4	10
AT26x8/9R14	324500	TR6	30 mm	2.0	10

RADIAL PASSENGER

SIZE	PRODUCT CODE	VALVE	VALVE ON/OFF-CENTER	UNIT WEIGHT	UNITS / CASE
ER12/13	322160	TR13	20 mm	0.9	10
FR13/14	322010	TR13	20 mm	1.6	10
FR15	322170	TR13	20 mm	1.4	10
GR/KR16	322050	TR13	25 mm	2.0	10
KR14/15	322030	TR13	30 mm	2.4	10
MR14/15	322040	TR13	25 mm	2.8	10
GR/KR16	322190	TR15CW	25 mm	1.8	10
MR14/15	322040	TR13	25 mm	2.8	10
GR/KR16	322190	TR15CW	25 mm	1.8	10

RADIAL LIGHT TRUCK

SIZE	PRODUCT CODE	VALVE	VALVE ON/OFF-CENTER	UNIT WEIGHT	UNITS / CASE
7.00/7.50R15LT	322070	TR150	25 mm	2.4	10
7.00/7.50R15LT	322230	TR13CW	25 mm	2.3	10
7.00/7.50R16LT	322060	TR150	25 mm	2.5	10
7.00/7.50R16LT	322200	TR13	25 mm	2.5	10
7.00/7.50R16LT	322210	TR440	ON	2.6	10
7.00/7.50R16LT	322220	TR15CW	25 mm	2.5	10
7.00/7.50R16LT	322430	TR13CW	25 mm	2.4	10
7.00/7.50R17/18	322440	TR440	ON	3.5	10

RADIAL HEAVY TRUCK

SIZE	PRODUCT CODE	VALVE	VALVE ON/OFF-CENTER	UNIT WEIGHT	UNITS / CASE
8.25R20	322080	TR442	ON	4.9	4
9.00R20	322090	TR443	ON	6.5	4
10.00R20 12/80R20	322100	TR444	ON	7.3	4
11.00R20 13/80R20	322110	TR444	ON	8.4	4
12.00R 20 14/80R20	322460	TR444	ON	8.6	4
10.00R22	322270	TR444	ON	8.1	4
11.00R22	322280	TR444	ON	8.1	4

HEAVY DUTY BIAS

SIZE	PRODUCT CODE	VALVE	VALVE ON/OFF-CENTER	UNIT WEIGHT	UNITS / CASE
10.00 - 20	322330	TR444	ON	6.8	6

RV AND WIDE BASE TRUCK BIAS AND SKID STEER

SIZE	PRODUCT CODE	VALVE	VALVE ON/OFF-CENTER	UNIT WEIGHT	UNITS / CASE
10/11R15LT	322310	TR13	45 mm	4.4	6

For tube stem and valve stem information and specifications, refer to most recent Tire and Rim Association publications.



LOW PLATFORM RADIAL

SIZE	PRODUCT CODE	VALVE	VALVE ON/OFF-CENTER	UNIT WEIGHT	UNITS / CASE
7.00/7.50R15TR	322450	TR440	ON	2.4	6
8.25R15TR	322240	TR444	ON	3.1	6
9.00/10.00/11.00R15TR	322250	TR444	ON	3.9	6

MOBILE HOME BIAS

SIZE	PRODUCT CODE	VALVE	VALVE ON/OFF-CENTER	UNIT WEIGHT	UNITS / CASE
7/8/9 - 14.5MH	322290	TR300	25 mm	2.9	6

OTR/CONSTRUCTION/SKID STEER

SIZE	PRODUCT CODE	VALVE	VALVE ON/OFF-CENTER	UNIT WEIGHT	UNITS / CASE
8.3/9.5/12.5 - 18/20	322000	TR15CW	33 mm	3.8	6
13.00/14.00 - 24 TG	322340	TR220A	55 mm	16.9	1

RADIAL OTR/CONSTRUCTION/SKID STEER

SIZE	PRODUCT CODE	VALVE	VALVE ON/OFF-CENTER	UNIT WEIGHT	UNITS / CASE
14R17.5	323111	TR300		5.5	3
15R19.5	323131	TR15CW	60 mm	7.1	3
13.00/14.00R24TG	322341	TR220A	55 mm	16.9	1
20.5R25	323671	TRJ1175C	ON	18.7	1
23.5R25	323681	TRJ1175C	ON	25.5	1

HEAVY DUTY INDUSTRIAL LIFT/FORK TRUCK MINING

SIZE	PRODUCT CODE	VALVE	VALVE ON/OFF-CENTER	UNIT WEIGHT	UNITS / CASE
5.70/5.00-8NHS	323820	JS2	10 mm	1.0	36
4.80/4.00-8/9NHS	322410	JS2	10 mm	0.8	12
6.50-10	323840	JS2	12 mm	1.5	22
7.00-12NHS	322420	TR440	ON	2.1	6
7.50/8.25-15	323850	TR440	ON	2.5	14
28/29 x 8/9 - 15	323860	TR440	ON	2.5	14
28x12-15	323900	TR440	ON	3.7	10
29x8-15	323920	TR440	ON	2.5	14
2.50-15	323880	TR440	ON	2.5	11
3.00-15	323890	TR440	ON	3.8	10
32x12-15	323910	TR440	ON	3.7	10
8.25-15	323870	TR442	ON	3.5	12

FARM FRONT BIAS

SIZE	PRODUCT CODE	VALVE	VALVE ON/OFF-CENTER	UNIT WEIGHT	UNITS / CASE
4.00/5.50/5.90/6.00-15SL	322350	TR15	20 mm	1.4	6
5.50/5.90/6.00/6.40-15/16SL	322120	TR15	20 mm	1.8	6
6.50/7.00/7.50/7.60/8.00-15/16	322360	TR15	25 mm	2.5	6
10.00-15/16SL	322130	TR15CW	25 mm	4.1	6
11.00-16SL	322370	TR15CW	50 mm	3.9	6
6.50/7.00/7.50-18SL	322140	TR15	25 mm	2.9	6
4.00-18/19SL	322380	TR15	15 mm	1.3	6
8.3/9.5/12.5-18/20	322000	TR15CW	33 mm	3.8	6

REAR FARM RADIAL

SIZE	PRODUCT CODE	VALVE	VALVE ON/OFF-CENTER	UNIT WEIGHT	UNITS / CASE
9/9.5/10/11.2/12.40R24	323960	TR218A	50 mm	6.7	4
7.50R24SL, 7.5/8.3/9.5R24	323601	TR218A	40 mm	6.6	8
13.6/14.9R24	323950	TR218A	55 mm	10.0	3
14.9R/16.9R/17.5LR24	323760	TR218A	70 mm	12.8	3
18.4R/19.5LR/21LR24	323770	TR218A	70 mm	16.3	2
11.2/12.4R28 11.25R28SL	323591	TR218A	66 mm	8.5	3
13.6/14.9R28/30	323750	TR218A	83 mm	12.1	3
13.6/14.9R26/28	324110	TR218A	58 mm	10.6	3
16.9/18.4R26/28	323730	TR218A	89 mm	14.9	2
14.9R30	323741	TR218A	84 mm	13.2	3
16.9/18.4R30	323780	TR218A	89 mm	16.7	2
11.2R34 11.2/12.4R36	323651	TR218A	70 mm	9.1	3
24.5R32	323742	TR218A	125 mm	24.8	2
13.6/14.9R34	324120	TR218A	58 mm	12.1	3
16.9/18.4R34	323700	TR218A	89 mm	18.2	2
13.6/14.9R36	323621	TR218A	83 mm	15.4	3
11.2/12.4R38	323631	TR218A	70 mm	9.1	3
14.9R36 13.6/14.9/15.5R-38	323720	TR218A	83 mm	15.4	3
16.9/18.4R38	323690	TR218A	89 mm	19.4	2
20.8R38	323710	TR218A	90 mm	25.3	2
18.4R20.8R42	323740	TR218A	90 mm	20.5	2
16.9/18.4R46	323693	TR218A	50 mm	22.6	2

HD SEVERE SERVICE-REAR FARM RADIAL

SIZE	PRODUCT CODE	VALVE	VALVE ON/OFF-CENTER	UNIT WEIGHT	UNITS / CASE
16.9/18.4R38	323691	TR218A	89 mm	21.4	1
18.4/20.8R42	323692	TR218A	90 mm	26.0	1
16.9/18.4R46	323694	TR218A	50 mm	25.8	1

For tube stem and valve stem information and specifications, refer to most recent Tire and Rim Association publications.

FARM IMPLEMENT BIAS

SIZE	PRODUCT CODE	VALVE	VALVE ON /OFF -CENTER	UNIT WEIGHT	UNITS / CASE
8.5/9.5/11L-14; 8.5/9.5L-15	322390	TR13	25 mm	2.9	6
11L-15/16SL	322150	TR218A	25 mm	4.2	6
11L-15/16SL	322400	TR15CW	25 mm	3.8	6
12.5L-15/16SL	322470	TR218A	45 mm	3.8	6
12.5L-15/16SL	323810	TR15CW	45 mm	3.8	6
13.6/14L-16.1	320032	TR218A	45 mm	7.2	7
16.5/18.4L-16.1	320033	TR218A	65 mm	10.1	4
21.5L-16.1	320034	TR218A	90 mm	12.1	2

TUBELESS VALVE STEMS

SIZE	PRODUCT CODE	VALVE	VALVE ON /OFF -CENTER	UNIT WEIGHT	UNITS / CASE
TR412	010200000007	0.453	0.88	4.4	6
TR413	010200000005	0.453	1.25	4.4	6
TR600HP*	010200000008	0.453	1.27	4.4	6

* High Pressure

RADIAL INDUSTRIAL FLAPS

SIZE	PRODUCT CODE	VALVE ON /OFF -CENTER	UNIT WEIGHT	UNITS / CASE
8R3.0	5508	13 mm	0.4	20
8R7.0	12311	ON	1.7	15
9R6.7	11009	10 mm	0.8	20
10R6.7	12310	10 mm	1.1	15
12R6.0	12812	ON	1.4	15
15R10.00	19015	ON	3.9	10
16R6.50/7.00/7.50/8.25	17016	25 mm	2.6	14
15R6.50/7.00/7.50/8.25	17015	ON	2.4	14
20R7.50/8.25	17020	ON	3.2	12
20R8.25	18020	ON	3.8	8
20R9.00/10.00	20520	ON	4.6	7
22R10.00/11.00	20522	ON	5.3	6
20R11.00/12.00	21020	ON	5.5	6
20R13.00/14.00	23020	ON	6.5	4
24R11.1 - Valve Hole 1.2"	19016	32 mm	6.9	4
24R11.1 Center Valve Hole	21024	ON	6.9	5

For tube stem and valve stem information and specifications, refer to most recent Tire and Rim Association publications.



INNER TUBE FITMENT CHART

SIZE	PRODUCT CODE	VALVE	VALVE ON/OFF - CENTER	ALSO FITS
4.10/3.50-4	320100	TR-87	5 mm	11 x 4.00 - 4
4.10/3.50 - 5	320200	TR-87	10 mm	11 x 4.00 - 5
13 x 5.00 - 6	320260	TR-87	10 mm	12 x 5.00 - 6, 14 x 4.50 - 6
5.30/4.50 - 6	320270	TR-87	25 mm	13 x 6.50 - 6, 14.5/7.00 - 6
18 x 6.50/7.50 - 8	320410	TR-13	25 mm	18 x 8.50/9.50 - 8, 20 x 8.00/9.00/10.00 - 8
23 x 8.50/9.50 - 12	321370	TR-13	25 mm	22 x 7.50/9.00 - 12, 23/24 x 10.50 - 12
26 x 12.00 - 12	321050	TR-13	40 mm	24 x 12.00 - 12, 26 x 10.50 - 12

RADIAL ATV TUBE FITMENT CHART

SIZE	PRODUCT CODE	VALVE	VALVE ON/OFF - CENTER	ALSO FITS
AT21/22 x 11/12R8	320440	TR6	25 mm	18 x 8-8, AT20 x 7-8, AT22 x 9R8, AT21 x 8R9 18 x 8.5/9.5-8, AT20 x 10/11-8, AT22 x 10R8, AT20 x 7R9 18 x 10/11-8, AT21 x 10/11R8, AT22 x 11R8, AT22 x 7R9 19 x 8.5/9.5-8, AT21 x 12R8, AT22 x 12R8, AT23 x 8R9 19 x 10/11-8, AT22 x 11R9
AT25 x 12/13R9	321520	TR6	35 mm	AT24 x 11R9, AT25 x 11R9, AT24 x 11R10, AT26 x 12R10 AT24 x 12/13R9 AT25 x 12R9 AT25 x 11R10 24 x 13.5-9 AT25 x 12R10 25 x 13.5-9
AT20 x 8/10R10	320771	TR6	20 mm	AT18 x 10R10, AT21 x 7R10, AT22 x 8R10, AT23 x 9R10 AT18 x 11R10, AT22 x 7R10, AT22 x 10R10, AT23 x 10R10 20 x 7.5-10, AT23 x 7R10, AT22 x 11R10 AT20 x 8R10, 22 x 12.5-10 AT20 x 10R10 AT20 x 11R10
AT22/23 x 8R11/12	321371	TR6	25 mm	AT23 x 8-11, AT23 x 8R12, AT23 x 10R12 AT24 x 8-11, AT24 x 8R12, AT24 x 10R12 AT24 x 9-11, AT25 x 8R12, AT25 x 10R12 23.5 x 8-11, AT23 x 9R12
AT24/26 x 12R12	321051	TR6	40 mm	AT24 x 12R12, AT25 x 8R11/12, AT26 x 10R12, AT25 x 11R12 AT25 x 12/13R12, AT26 x 8R11/12, AT26 x 12R12, AT26 x 11R11/12 AT27 x 8R11/12, AT27 x 11/12R12
AT26X8/9R14	324500	TR6	30 mm	AT26X8R14 AT26X9R14

RADIAL LT TUBE FITMENT CHART

SIZE	PRODUCT CODE	VALVE	VALVE ON/OFF - CENTER	ALSO FITS
700/750R15LT	322230	TR13CW	25 mm	670R/710R/750R15LT, P215/75R15 LT215/225/235R15LT, P235/75R15 LT245/70R15LT, P245/70R15 LT255/70R15LT, P255/70R15 670R/710R/750R15LT, P235/245/70R15
GR/HR/LR15LT				
700/750R15	322070	TR150	25 mm	LT215/235/75R15, P255/65R15 P255/60R15 GR/HR/LR16LT
700/750R16LT	322060	TR150	25 mm	LT215/235/85R16 LT225/245/265/75R16

For tube stem and valve stem information and specifications, refer to most recent Tire & Rim Association publications.

RADIAL LT TUBE FITMENT CHART (Continued)

SIZE	PRODUCT CODE	VALVE	VALVE ON/OFF - CENTER	ALSO FITS
700/750R16LT	322200	TR13	25 mm	LR78-16LT, LT235/65R16, P265/75R16, P235/75R16
				LT225/70R16, LT235/70R16, P215/225/75R16LT, P235/65R17
				LT235/75R16, LT245/70R16, P225/70R16, P245/70R16
				LT225/85R16, LT245/75R16, P225/235/85R16, P255/70R16
				LT235/85R16, LT255/70R17, P235/65R16, P255/60R17
				LT255/60R17, LT235/65R17, P235/70R17, P265/70R16
				LT215/235/85R16, P245/75R16, P265/60R17
700/750R16LT	322220	TR15CW	25 mm	GR/HR/LR78-16LT, MR16HD, P215/225/75R16LT
				LT215/235/85R16, LR78-16LT
				LT225/85R16, LT225/70R16
				LT235/70R16, LT235/75R16
			LT245/70R16, LT255/70R16, 8.25R16LT	
7.00/7.50R16LT	322210	TR440	ON	
700/750R16LT	322430	TR13CW	25 mm	LT215/235/85R16, MR16HD
700/750R17/18	322440	TR440	ON	P265/60R17, P255/60R17, P235/65R17
				LT255/70R17, LT235/65R17
				LT255/60R17
9.50/10R16.5	322320	TR15CW	25 mm	31 x 10.50R16.5LT, LT265/60D16.5
12R16.5LT	323990	TR15CW	45 mm	33 x 12.50R16.5LT, 305/70D16.5NHS, 305/90D16.5NHS

For tube stem and valve stem information and specifications, refer to most recent Tire & Rim Association publications.

REAR FARM RADIAL

SIZE	PRODUCT CODE	VALVE	VALVE ON/OFF - CENTER	ALSO FITS
11.2/12.4R24	323960	TR218A	50 mm	320/85R24
13.6/14.9R24	323950	TR218A	55 mm	340/85R24, 380/85R24
14.9-16.9/17.5LR24	323760	TR218A	70 mm	460/70R24
18.4/19.5L/21LR24	323770	TR218A	70 mm	500/70R24, 540/70R24
13.6/14.9R28/30	323750	TR218A	83 mm	340/85R28, 380/85R28, 380/85R30
13.6/14.9R26/28	324110	TR218A	58 mm	340/85R28, 380/85R28
16.9/18.4R26/28	323730	TR218A	89 mm	480/80R26
14.9R30	323741	TR218A	84 mm	380/85R30
16.9/18.4R30	323780	TR218A	89 mm	420/90R30, 480/80R30
24.5R32	323742	TR218A	125 mm	650/75R32
13.6/14.9R34	324120	TR218A	58 mm	380/85R34
16.9/18.4R34	323700	TR218A	89 mm	420/85R34, 480/85R34
11.2/12.4R38	323631	TR218A	70 mm	290/90R38
14.9R36, 13.6/14.9/				
15.5R38	323720	TR218A	83 mm	380/80R38
16.9/18.4R38	323690/323691	TR218A	89 mm	480/80R38
20.8R38	323710	TR218A	90 mm	520/85R38
18.4R/20.8R42	323740/323692	TR218A	90 mm	480/80R42, 520/85R42
16.9/18.4R46	323693/323694	TR218A	50 mm	420/80R46, 480/80R46

For tube stem and valve stem information and specifications, refer to most recent Tire & Rim Association publications.



PASSENGER TUBE FITMENT CHART

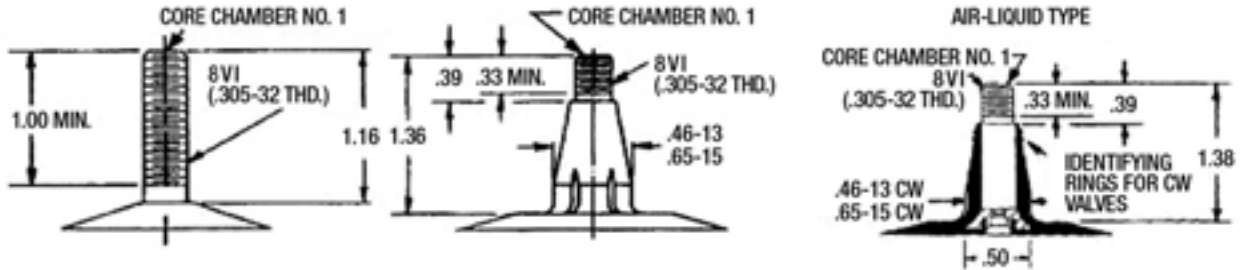
SIZE	PRODUCT CODE	VALVE	VALVE ON/OFF - CENTER	ALSO FITS
DR 12/4.00/4.50/4.80/5.30-12	323844	TR-13	10 mm	DR12, 4.00-12
				4.50-12
				4.80-12
				5.30-12
ER 12/13	322160	TR-13	20 mm	A78-13, 145/80R12/13, 185/60R13, 5.00-12/13
				135R12, 155/80R13, 195/60R13, 5.20-12/13
				145R12/13, 165/70R12/13, AR78-12, 5.50-12
				155R12/13, 155/70R12, BR78-12, 5.60-12/13
FR 13/14	322010	TR-13	20 mm	165R13, 6R12SL
				A78-13/14, 165R14, 185/70R13/14, 6.00-13/14
				B78-13/14, 165/80R13/14, 205/60R13/14, 6.15-13
				A70-13, 175/80R13, 185/60R14, 6.40-13
				B70-13/14, 155/80R14, 195/60R14, 6.50-13
				A60-13/14, 165/75R13/14, AR78-13/14, 6R14SL
				B60-13/14, 175/75R13/14, BR78-13/14, 7R14SL
				175R13, 185/75R13, AR70-13
				155R14, 175/70R13/14, BR70-13/14
				FR 15
				B78-15, 155/80R15, 205/60R15, 5.50-15
				B70-15, 165/80R15, AR78-15, 6.00-15
				155R15, 175/75R15, BR78-15
				165R15, 185/70R15, BR70-15
GR 13/14/15	322020	TR-13	25 mm	C78-13/14/15, G60-14, 215/60R14/15, 7.00R13/14
				D78-13/14/15, 185R13/14/15, 225/60R14/15, 6.50R14
				E78-14/15, 195R13/14/15, 245/60R14, 7.35R14
				F78-14/15, 175R14, CR78-13/14/15, 6.85R15
				C70-13/14/15, 185/80R13/14, DR78-13/14/15, LT195/75R14
				D70-13/14/15, 175/80R14, ER78-14/15, 700R14LT
				E70-14/15, 195/75R13/14/15, FR78-15, 7.9R14LT
				F70-14/15, 185/75R14/15, CR70-13/14/15, 26 x 850R14LT
				C60-14/15, 205/75R14, DR70-13/14/15, 27 x 850R14LT
				D60-14/15, 195/70R13/14/15, ER70-14/15, 27 x 750R15LT
				E60-14/15, 205/70R13/14/15, FR70-14/15
				F60-14/15, 235/6013/14, 6.70R13/14
KR 14/15	322030	TR-13	30 mm	G78-14/15, 225R15, 235/60R15, 7.75R14/15
				H78-14/15, 195/80R15, 245/60R15, 8.00R14/15
				G70-14/15, 215/75R14/15, FR78-14, 8.25R14/15
				H70-14/15, 225/75R14, GR78-14/15, 8.55R15
				H60-14/15, 205/75R15, HR78-14/15
				G60-15, 215/70R14/15, GR70-14/15
				205R14/15, 225/70R14/15, HR70-14/15
				215R14/15, 255/60R14, 7.50R14/15
MR 14/15	322040	TR-13	25 mm	J78-14/15, M60-14/15, 265/60R14/15, LR70-15
				K78-15, N60-15, 275/60R14/15, 8.50R14
				L78-15, 225R14, 255/60R15, 8.85R14/15
				N78-15, 235R15, JR78-14/15, 9.00R14/15

For tube stem and valve stem information and specifications, refer to most recent Tire & Rim Association publications.

PASSENGER TUBE FITMENT CHART (Continued)

SIZE	PRODUCT CODE	VALVE	VALVE ON/OFF - CENTER	ALSO FITS	
	322050			J70-14/15, 235/75R14/15, KR78-15, 9.50R14	
				K70-15, 225/75R15, LR78-15, 9.15R15	
				L70-15, 235/70R14/15, NR78-15	
				J60-14, 245/70R14/15, JR70-14/15	
				L60-14/15, 255/70R15, KR70-15	
GR/KR 16			TR-15	25 mm	F78-16, FR78-16, 5.50R16, 7R16SL
					H78-16, HR78-16, 6.00R16, 8R16SL
					L78-16, JR78-16, 6.50R16
					LR78-16, 6.70R16
					7.00R16
	322190			7.50R16	
GR/KR 16			TR-15CW	25 mm	F78-16, FR78-16, 8.00R16
					H78-16, HR78-16, 8.25R16
					L78-16, LR78-16

For tube stem and valve stem information and specifications, refer to most recent Tire & Rim Association publications.

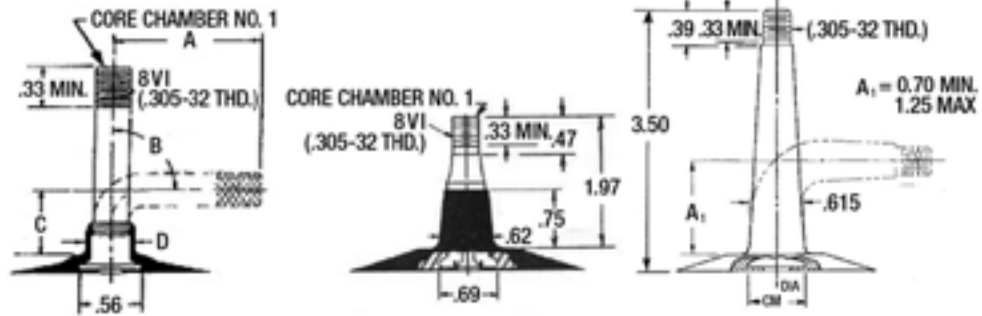


TR 6

TR 13 (TR15)

TR 13CW-TR 15CW*

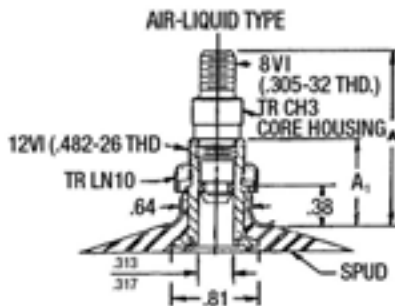
*To be used where liquid fill is used in tubes



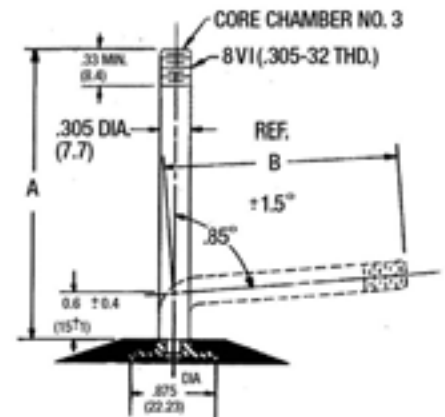
TR 87 / JS 2 / JS 87

TR 300

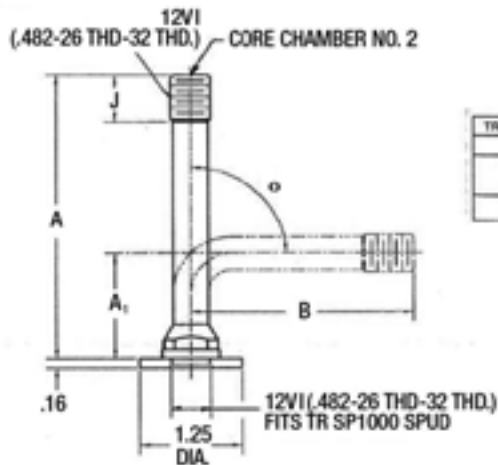
TR 150



TR 218A / 220A

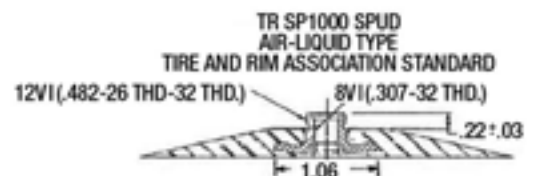


TR 440 SERIES



TR J1175C

TR VALVE NO.	FORM	A	A ₁	B	J	Z'
J 1014	A	1.91	-	-	1.44	-
A		4.16	-	-	72	-
J 1026	D	-	2.06	2.31	75	90
E		-	1.28	3.00	75	88
J 1175	A	5.28	-	-	75	-
C		-	1.38	4.12	75	88



TR SP1000 SPUD



PROPOSITION 65

California's Proposition 65, also known as the Safe Drinking Water and Toxic Enforcement Act of 1986, requires the Governor of California to publish a list of chemicals known by the state to cause cancer, birth defects or other reproductive harm. The complete list of Prop 65 chemicals is available here:

http://www.oehha.ca.gov/prop65/prop65_list/Newlist.html

This notice is intended to warn Carlstar's customers that some products distributed by the Carlstar Group in California contain chemicals that are included on California's Prop 65 list. Such products include:

Tires	alpha-styrene, butadiene, cadmium, carbon black	cancer / reproductive harm
Wheels	cadmium, beryllium, hexavalent chromium	cancer / reproductive harm
Valve Stems	carbon black	cancer
Sealant	ethylene glycol	reproductive harm

which is [are] known to the State of California to cause both cancer and birth defects or other reproductive harm. For more information go to www.P65Warnings.ca.gov.

The Carlstar Group has chosen to provide this warning based on its knowledge about the presence of one or more Prop 65 chemicals in its products. The Carlstar Group has not attempted to evaluate the level of possible exposure. Products distributed by the Carlstar Group may contain listed chemicals at levels that are below the Proposition 65 level of concern, or could even be zero. Out of an abundance of caution, the Carlstar Group has elected to place the Proposition 65 warning notification on all its products that contain chemicals identified on California's Prop 65 list.



Edmonton, AB

Waterloo, ON

UNITED STATES

- Aiken, SC
- Clinton, TN
- Edwardsville, KS
- Kent, WA
- Fontana, CA
- Franklin (Nashville), TN
- Jackson, TN
- McDonough, GA
- Slinger, WI



Budapest, Hungary

Meizhou, China



Corporate Office

The Carlstar Group, LLC

725 Cool Springs Blvd.

Suite 500

Franklin, TN 37067

Tel: **+1 615-503-0220**

Email: **brand@carlstargroup.com**

© 2019 The Carlstar Group, LLC.

All rights reserved.

Revision 12/18. Part #CSL-L-1610

Customer Service:

USA

Tel: **+1 800-827-1001**

Email: **orders@carlstargroup.com**

Warranty Department:

Tel: **+1 800-260-7959**

Email: **customer.care@carlstargroup.com**

Canada

Waterloo Tel: **1(800)265-6155**

Edmonton Tel: **1(877)842-6275**

AUTHORIZED CARLSTAR DISTRIBUTOR

